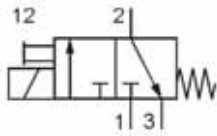


Electrically operated valves
3/2-way, M5 (10/32 UNF),
38 NI/min (0.039 Cv)



Technical data for series

MS-20



MS-20-310/n-HN



MS-20-310-HN

Order code

MS-20-310/n-HN-112

Series and function

Number of stations

- blank = 1 station
- 2 = 2 stations
- 3 = 3 stations
- 4 = 4 stations
- 5 = 5 stations
- 6 = 6 stations

Coil options*

- 111** = 12 V DC, 2 W, (coil 23-M-20, plug socket 28-ST-02)
- 112** = 24 V DC, 2 W, (coil 23-M-20, plug socket 28-ST-02)
- 411** = 12 V DC without plug socket (coil 23-M-20)
- 412** = 24 V DC without plug socket (coil 23-M-20)

Design and function

Directly operated poppet valve with spring return. Actuated by a permanent electrical signal.

The valves can be changed to a 2/2-way function by closing the exhaust port 3.

On type MS-20-310/n-HN, the letter “n” indicates the number of stations. Up to 6 stations are available.

The single valve MS-20-310-HN is available without a manual override. Please cancel the letters HN from the code when ordering.

The standard coil and socket (see page 4.063) are included.

Please specify required control voltage when ordering.

Accessories see page 4.063.

Order number	MS-20-310-HN	MS-20-310/n-HN
Connection	M5 (10/32 UNF)	G 1/8 at 1, M5 (10/32 UNF) at 2 and 3
Nominal size	1.2 mm	
Flow rate	38 NI/min (0.039 Cv)	
Pressure range	- 0.95 ... 8 bar (- 14 ... 116 psi)	
Response time at 6 bar	on 8 ms off 8 ms	
Temperature range	- 10 °C ... + 70 °C (+ 14 °F ... + 158 °F)	
Materials	Body: Al (anodized), plastic, Seals: NBR, Inner parts: stainless steel and brass	
Degree of protection	IP 65 according to EN 60529	
Weight	0.064 kg (0.141 lb.)	0.01 + n • 0.066 kg (0.022 + n • 0.145 lb.)

*Valves with further voltages on request.

Electrically operated valves
3/2-way, M5 (10/32 UNF),
38 NI/min (0.039 Cv)

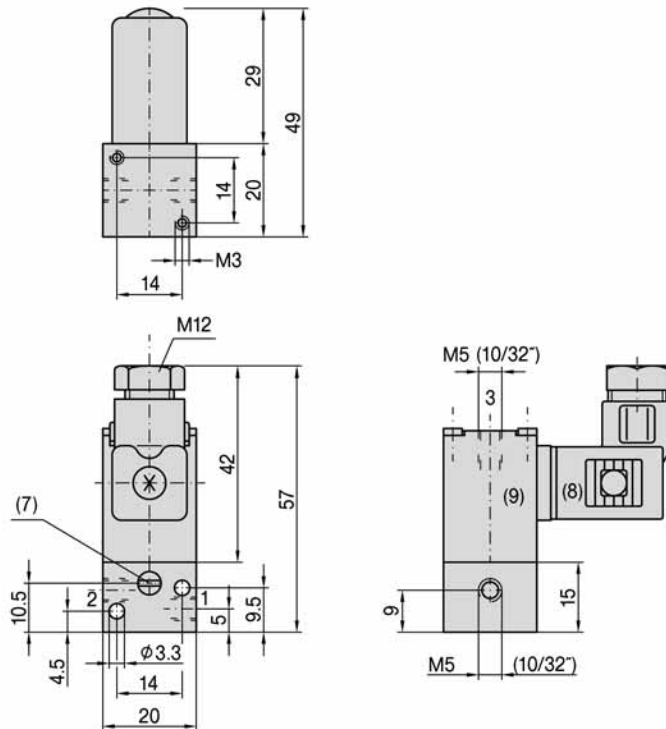


Dimensions for series

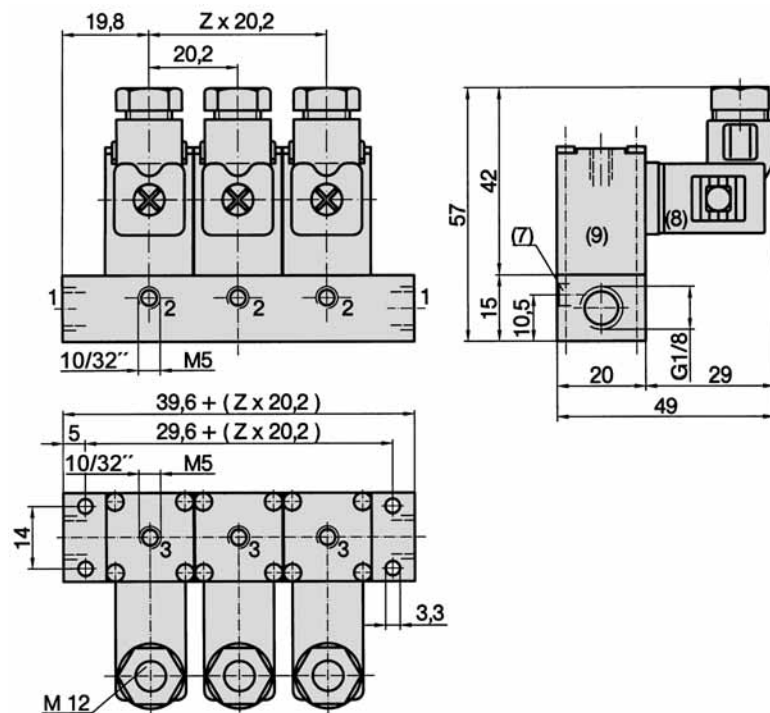
MS-20

MS-20-310-HN

- 1 = pressure inlet
- 2 = outlet
- 3 = exhaust
- (7) = manual override (detent)
- (8) = plug socket can be repositioned by 180°
- (9) = solenoid coil can be repositioned by 4 x 90°



MS-20-310/n-HN

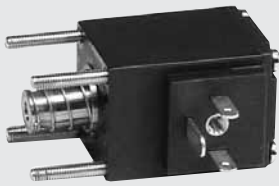


- 1 = pressure inlet
- 2 = outlet
- 3 = exhaust
- Z = n - 1

- (7) = manual override (detent)
- (8) = plug socket can be repositioned by 180°
- (9) = solenoid coil can be repositioned by 180°

Accessories for series
M-20, MS-20

Solenoid coil



Standard coil
23-M-20-...
page 4.282

Plug sockets



Standard plug socket
28-ST-02
page 4.283



Plug socket with LED
28-ST-09-...
page 4.283



Plug socket with LED
and circuit protection
28-ST-10-...
page 4.283



Socket with LED, circuit
protection and built-in cable
28-ST-10-K3-...
page 4.283



Socket with M-12 sensor
connection, LED and
circuit protection
28-ST-02-2-07
page 4.282



Socket with M-8 sensor
connection, LED and
circuit protection
28-ST-02-2-05
page 4.282