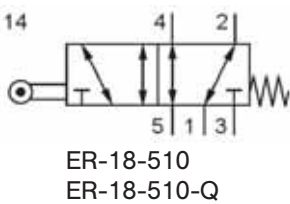
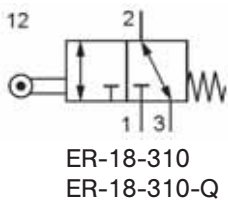
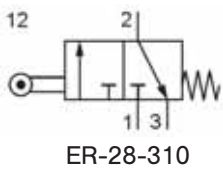
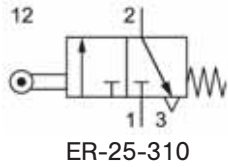


**Roller-operated valves**  
**3/2- and 5/2-way, M5 (10/32 UNF) – G 1/8,**  
**80 – 320 NI/min (0.081 – 0.325 Cv)**



**Technical data for series**

**ER**



**Design and function**

Types ER-25-310 and ER-28-310: Port 1 must be used as the pressure inlet.

Types ER-18-310 and ER-18-510: All ports are interchangeable.

Valves ER-18-310 and ER-18-510 are available for use with vacuum (– 0.95 ... 12 bar/–14 ... 175 psi). Order number changes to ER-18-310-Q and ER-18-510-Q.

Order number	ER-25-310	ER-28-310	ER-18-310	ER-18-510
Function	3/2-way spring return			5/2-way spring return
Connection	M5 (10/32 UNF)	G 1/8		
Nominal size	2 mm	4 mm		
Flow rate	80 NI/min (0.081 Cv)	210 NI/min (0.213 Cv)	320 NI/min (0.325 Cv)	
Pressure range	0 ... 12 bar (0 ... 175 psi)			
Actuating force at 6 bar	8 N	9 N	17 N	18 N
Temperature range	– 10 °C ... + 70 °C (+ 14 °F ... + 158 °F)			
Materials	Body: Al (anodized), Inner parts: Al, brass, stainless steel			
	Seals: NBR		Seals: NBR and POM	
	Roller: stainless steel Lever: brass	Roller: POM Lever: stainless steel	Roller: POM Lever: Al (anodized)	
Weight	0.044 kg (0.097 lb.)	0.061 kg (0.134 lb.)	0.098 kg (0.216 lb.)	0.121 kg (0.267 lb.)

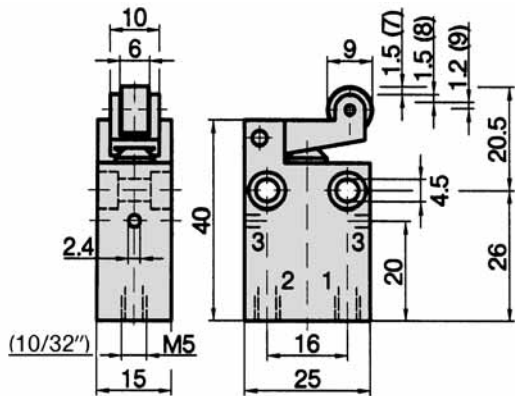
**Roller-operated valves**  
**3/2- and 5/2-way, M5 (10/32 UNF) – G 1/8,**  
**80 – 320 NI/min (0.081 – 0.325 Cv)**



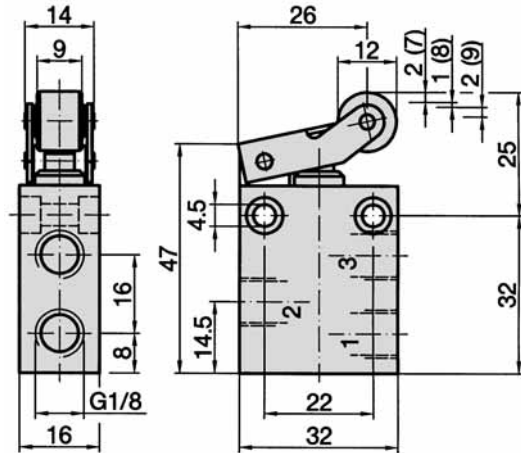
**Dimensions for series**

**ER**

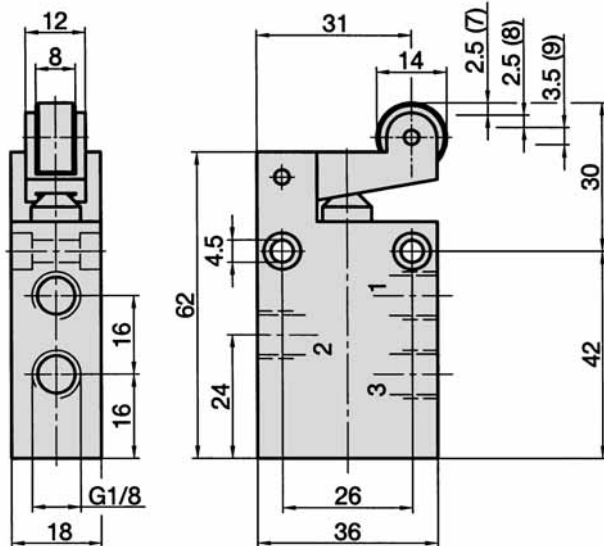
**ER-25-310**



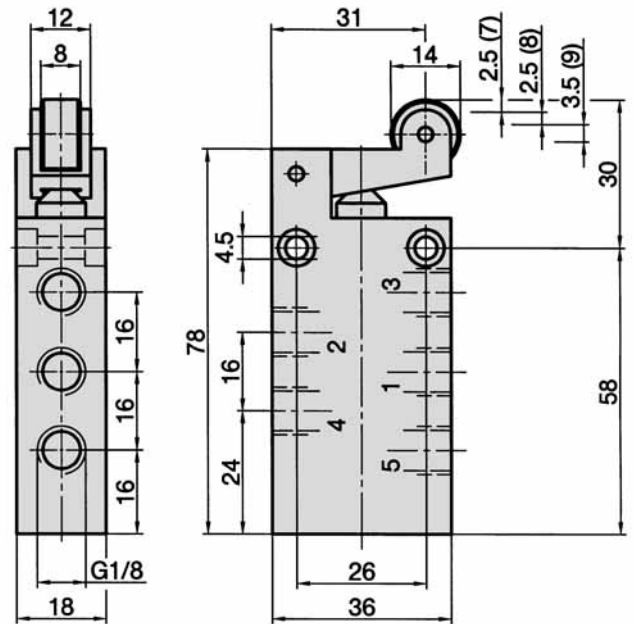
**ER-28-310**



**ER-18-310, ER-18-310-Q**



**ER-18-510, ER-18-510-Q**



- 1 = pressure inlet
- 2 = outlet
- 3 = exhaust
- 4 = outlet
- 5 = exhaust

- (7) = pre-stroke, valve is not actuated
- (8) = working stroke
- (9) = end of stroke, bottomed