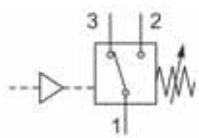


Technical data for series

PE-18, PE-14



PE-18-01-40



PE-14-01-40



PE-14-02

Design and function

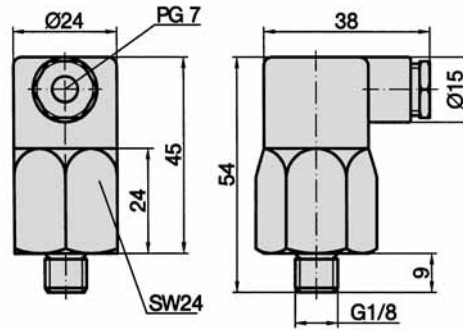
Adjustable diaphragm pressure switch for a pressure range from 1 to 10 bar (14.5 to 145 PSI). Other types are available on request.

Order number	PE-18-01-40	PE-14-01-40	PE-14-02
Size	G 1/8 male	G 1/4 male	G 1/4 female
Pre-adjustment	4 bar at rising pressure		not available
Over pressure safety	300 bar (4350 psi)	100 bar (1450 psi)	
Materials	Steel (zinc-plated), NBR		
Repeatability	5 % ... 10 %	2 % ... 5 %	
Switching frequency	200 / min.		
Hysteresis	5 %	20 %	20 % ... 30 %
Contact function	NO	Change-over contact	
Voltage	10 V ... 250 V		
Max. current	2 A	6 A	2 A
Temperature range	- 20 °C ... + 100 °C (- 4 °F ... + 212 °F)	- 20 °C ... + 80 °C (- 4 °F ... + 176 °F)	- 20 °C ... + 100 °C (- 4 °F ... + 212 °F)
Degree of protection	IP 55	IP 65	IP 55
Weight	0.09 kg (0.198 lb.)	0.12 kg (0.264 lb.)	0.38 kg (0.838 lb.)

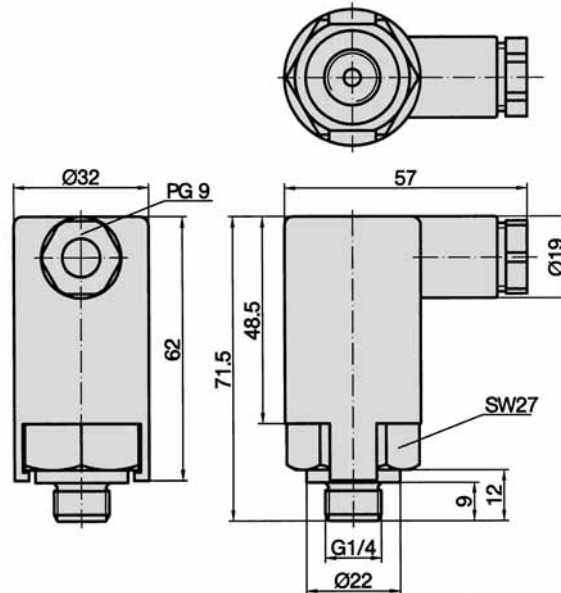
Dimensions for series

PE-18, PE-14

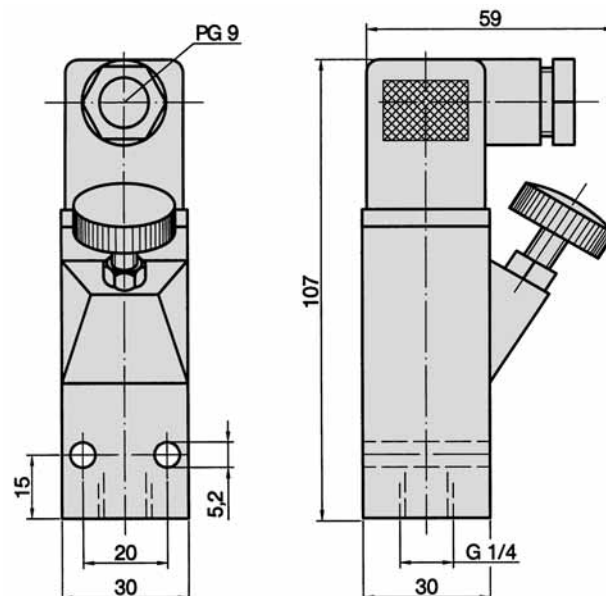
PE-18-01-40



PE-14-01-40



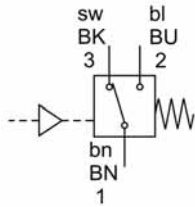
PE-14-02



PE-converter

Technical data for series

PE-25



Design and function

To be used for the transformation of a pneumatic input signal into an electrical output signal.
Length of electrical cable: 1 m

Order number	PE-25
Size	M 5 (10/32 UNF) female
Switch-on pressure	2 bar (29 psi)
Switch-off pressure	1 bar (14.5 psi)
Max. pressure	12 bar (174 psi)
Electrical capacity	6 A (24 V=), 4 A (48 V=), 0.5 A (110 V=), 6 A (220 V≈)
Degree of protection	IP 65 according to EN 60529
Materials	Body: Al and PA with glas fibre
Weight	0.100 kg (0.220 lb.)

Dimensions for series

