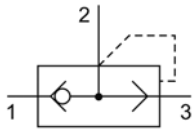


Quick exhaust valves
G 1/8 – G 1/2
600 NI/min – 5600 NI/min (0.610 Cv – 5.691 Cv)



Technical data for series

SE

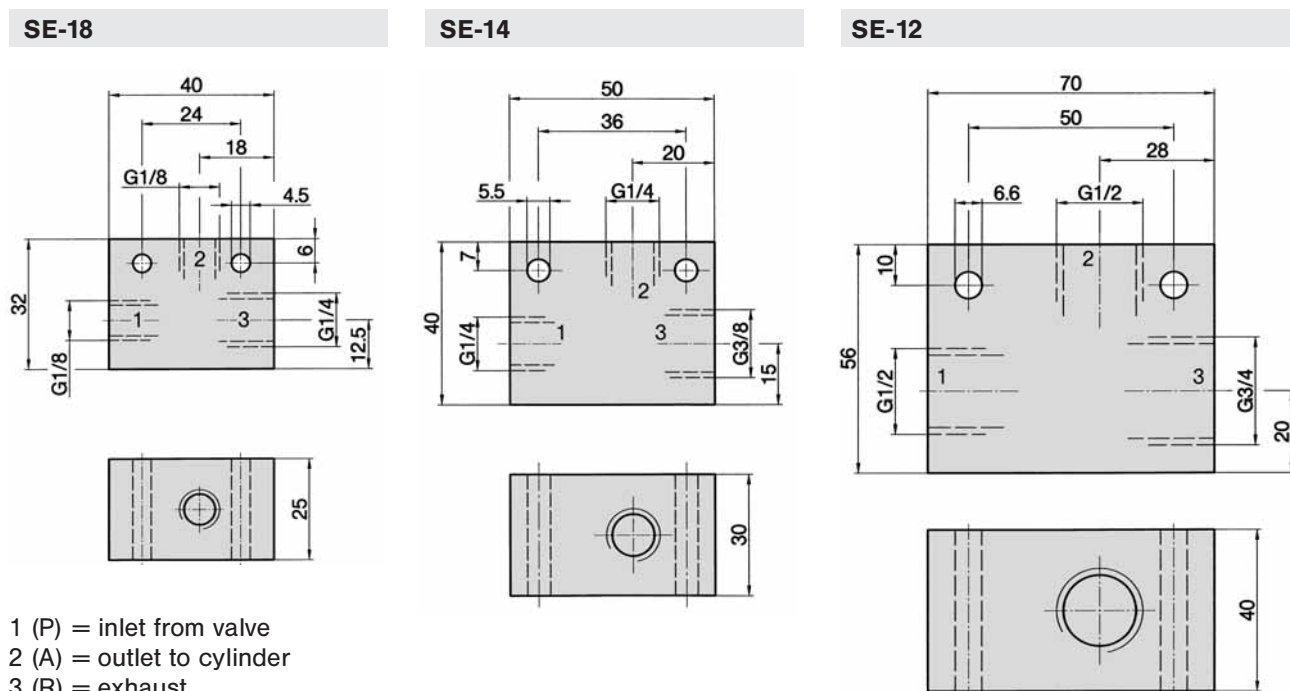


Design and function

A quick exhaust valve is used to increase the speed of a pneumatic cylinder. The flow from the control valve to the cylinder ports is unrestricted. If valve port 1 is de-pressurized, air is exhausted from 2 to 3.

Order number	SE-18	SE-14	SE-12
Connection	G 1/8, G 1/4 at R	G 1/4, G 3/8 at R	G 1/2, G 3/4 at R
Nominal size P – A	5 mm	7 mm	12 mm
Nominal size A – R	8 mm	10 mm	16 mm
Nominal flow P – A	600 NI/min (0.610 Cv)	1200 NI/min (1.219 Cv)	2800 NI/min (2.846 Cv)
Nominal flow A – R	1200 NI/min (1.219 Cv)	2400 NI/min (2.439 Cv)	5600 NI/min (5.691 Cv)
Working pressure range	0.5 ... 10 bar (7 ... 145 psi)		
Temperature range	– 10 °C ... + 70 °C (+ 14 °F ... + 158 °F)		
Materials	Body: Al (anodized), Seals: NBR		
Weight	0.07 kg (0.15 lb.)	0.125 kg (0.275 lb.)	0.31 kg (0.68 lb.)

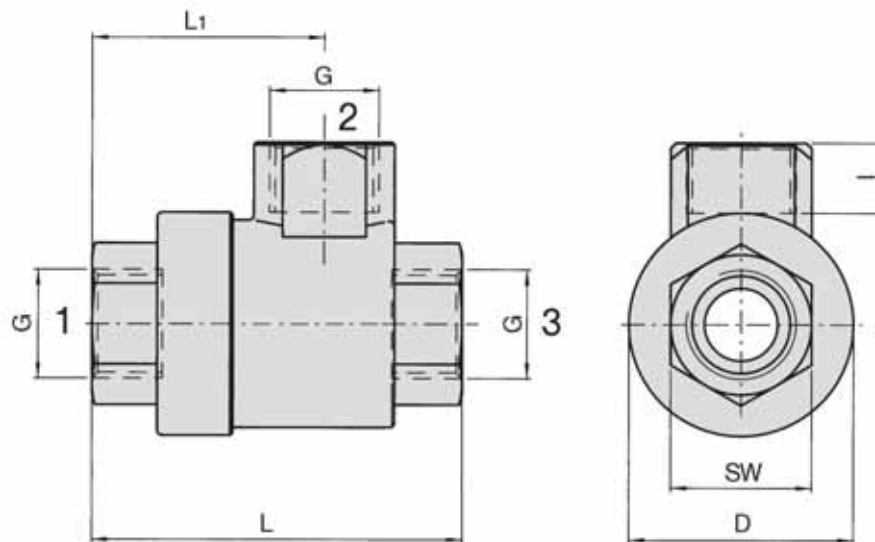
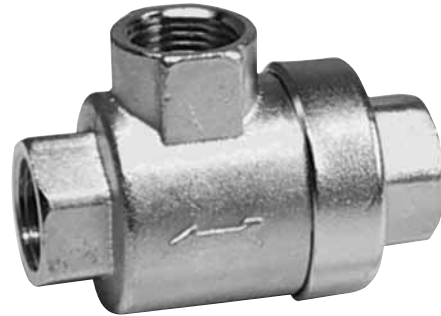
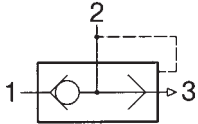
Dimensions for series



Blow off valves for vacuum ejectors

Technical data for series

SE-18-1



Order number	SE-18-1	SE-14-1	SE-38-1	SE-12-1
Flow rate	only in the exhaust			
	up to max. 100 NI/min (0.102 Cv)	up to max. 200 NI/min (0.203 Cv)	up to max. 300 NI/min (0.305 Cv)	up to max. 800 NI/min (0.813 Cv)
G	G 1/8	G 1/4	G 3/8	G 1/2
D	28.5	33	33	47
SW	14	17	21	26
L	42	54	55	72.5
L1	27	35	35	43
I	6	10.5	11	12
Nominal size	6	9	12	14
Operating pressure	0.2 to 10 bar (2.9 ... 145 psi)			
Opening pressure	min. 0.3 bar (4.350 psi)			
Temperature	- 18 °C ... + 70 °C (0 °F ... 158 °F)			
Materials	Body: brass, nickel-plated Seal: PA Diaphragm: PU			
Medium	filtered/lubricated or filtered/non-lubricated air			
Weight	0.098 kg (0.216 lb.)	0.161 kg (0.355 lb.)	0.151 kg (0.333 lb.)	0.337 kg (0.743 lb.)