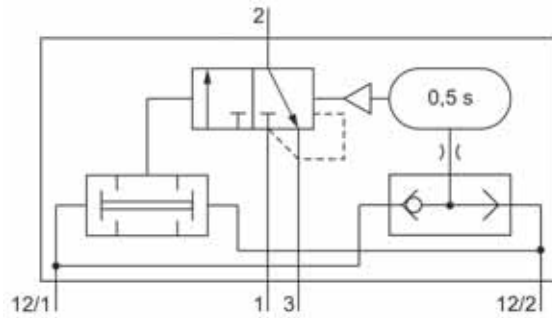


Two-signal-control
3/2- and 5/2-way, G 1/8 – G 1/4,
280 NI/min – 1300 NI/min (0.285 Cv – 1.321 Cv)

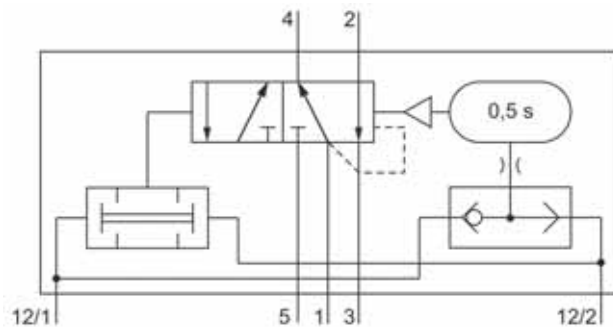


Technical data for series

SZ



SZ-18-310



SZ-14-510



Design and function

The valve operates after two input signals at 12 arrive within 0.5 s. The valve is actuated as long as the signals continue.

If the input signals do not arrive within 0.5 s, the valve does not operate. Both signals must be reset before the valve switches back on.

Order number	SZ-18-310	SZ-14-510
Function	3/2-way	5/2-way
Connection	G 1/8	G 1/4
Nominal size	4 mm	8 mm
Nominal flow	280 NI/min (0.285 Cv)	1300 NI/min (1.321 Cv)
Working pressure range	3 ... 10 bar (44 ... 145 psi)	
Pilot pressure range	equivalent to working pressure	
Temperature range	– 10 °C ... + 70 °C (+ 14 °F ... + 158 °F)	
Materials	Body: Al (anodized), Seals: NBR and POM, Inner parts: Al, stainless steel, brass	
Weight	0.36 kg (0.79 lb.)	0.825 kg (1.815 lbs.)

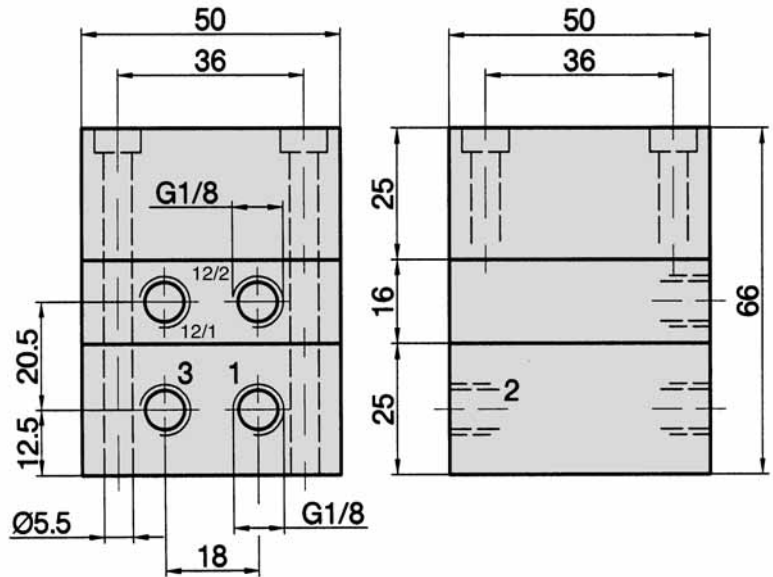
Two-signal-control
3/2- and 5/2-way, G 1/8 – G 1/4,
280 NI/min – 1300 NI/min (0.285 Cv – 1.321 Cv)



Dimensions for series

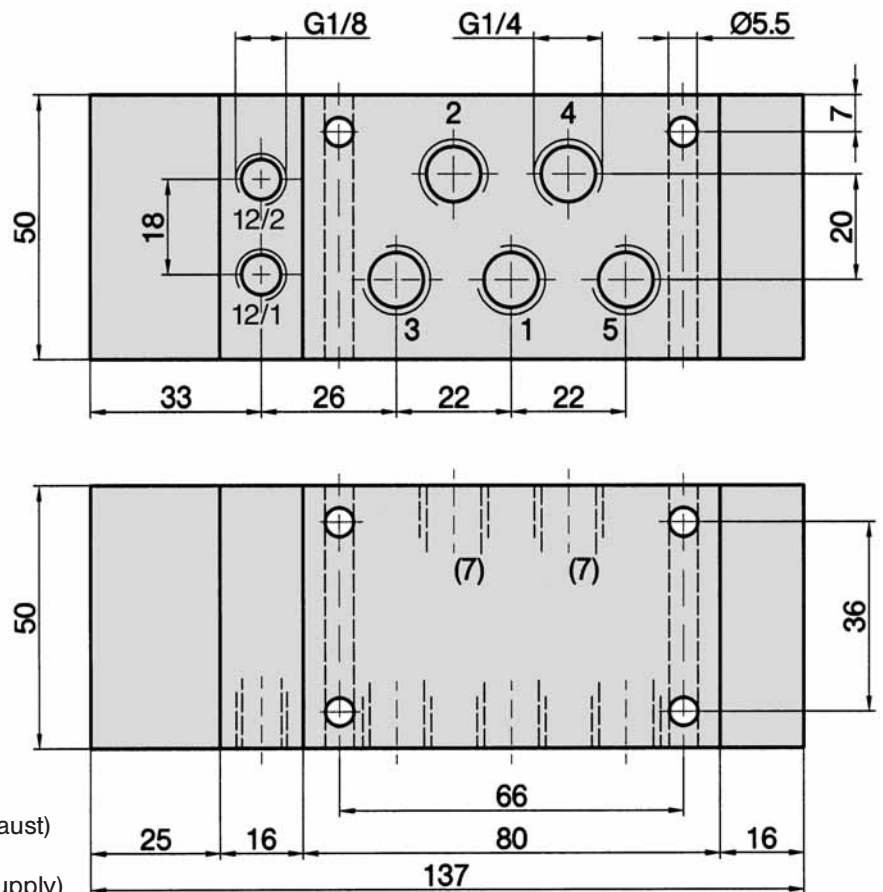
SZ

SZ-18-310



- 1 (P) = pressure supply (exhaust)
- 2 (A) = outlet
- 3 (R) = exhaust (pressure supply)
- 12 (Z) = signal port

SZ-14-510



- 1 (P) = pressure supply (exhaust)
- 2 (A), 4 (B) = outlets
- 3 (R), 5 (S) = exhausts (pressure supply)
- 12 (Z) = signal port
- (7) = Outlets 2 and 4 are in the front and the rear of the valve. The rear outlet is plugged at the factory.