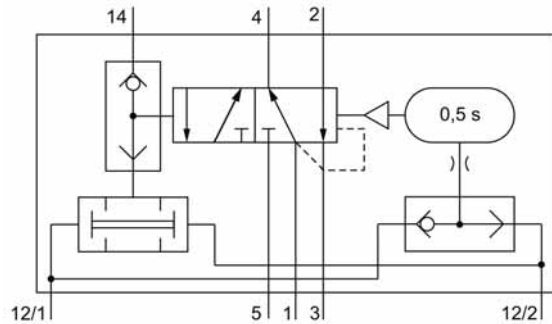


**Two-signal-control
with self-locking connection
5/2-way, G 1/4, 1300 NI/min (1.321 Cv)**

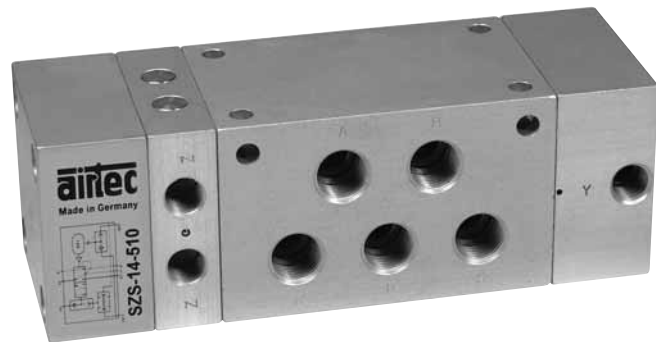


Technical data for series

SZS



SZS-14-510



Design and function

This two-signal-control has the same function as series SZ (see page 7.040). In addition, it has a self-locking device. A signal to 14 actuates the two-signal-control as a standard 5/2-valve. When the signal at 14 ends, the valve resets.

Order number	SZS-14-510
Function	5/2-way
Connection	G 1/4
Nominal size	8 mm
Nominal flow	1300 NI/min (1.321 Cv)
Working pressure range	3 ... 10 bar (44 ... 145 psi)
Pilot pressure range	equivalent to working pressure
Temperature range	- 10 °C ... + 70 °C (+ 14 °F ... + 158 °F)
Materials	Body: Al (anodized), Seals: NBR and POM, Inner parts: Al, stainless steel, brass
Weight	0.885 kg (1.947 lbs.)

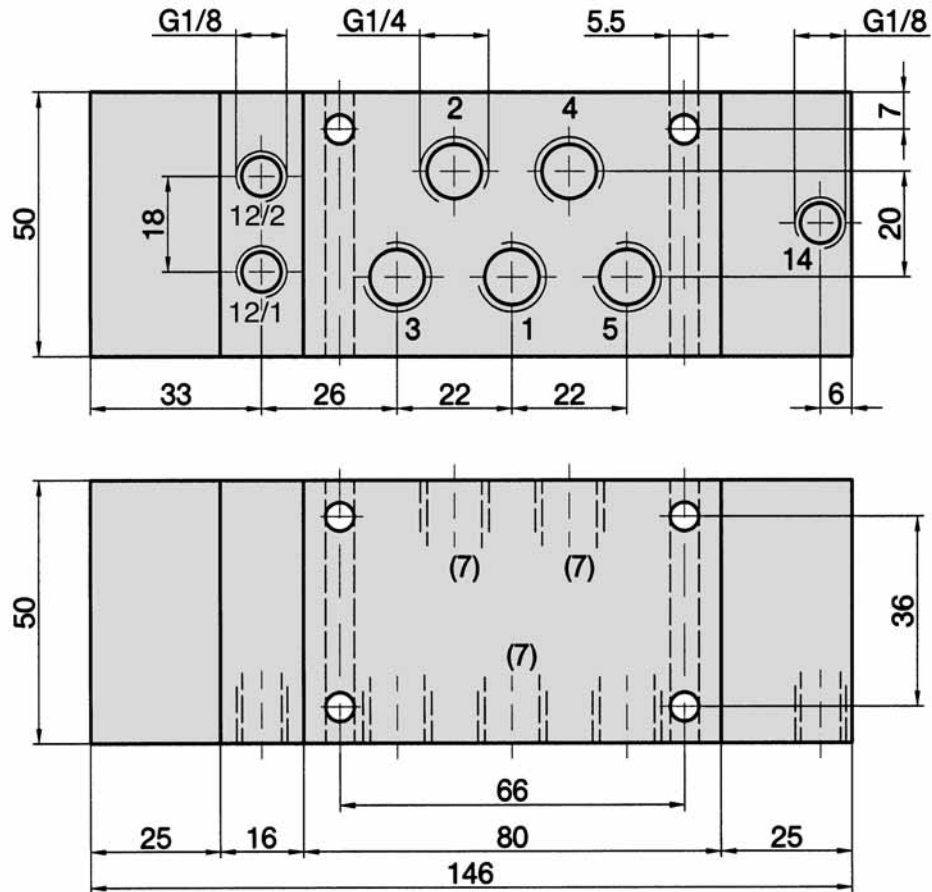
Two-signal-control
with self-locking connection
5/2-way, G 1/4, 1300 NI/min (1.321 Cv)



Dimensions for series

SZS

SZS-14-510



- 1 (P) = pressure supply (exhaust)
- 2 (A), 4 (B) = outlets
- 3 (R), 5 (S) = exhausts (pressure supply)
- 12 (Z) = signal port
- 14 (Y) = self-locking connection
- (7) = Outlets 2 and 4 are in the front and the rear of the valve. The rear outlet is plugged at the factory.