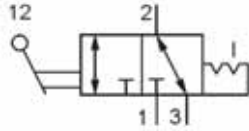


**Hand lever valves with detent**  
**3/2-, 5/2- and 5/3-way, G 1/8 – G 1/2,**  
**750 – 3300 NI/min (0.762 – 3.354 Cv)**



**Technical data for series**

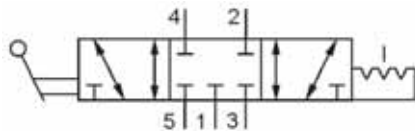
# HR



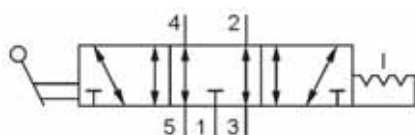
HR-18-320, HR-18-320-Q  
 HR-14-320, HR-14-320-Q



HR-18-520, HR-18-520-Q  
 HR-14-520, HR-14-520-Q



HR-18-530, HR-18-530-Q  
 HR-14-530, HR-14-530-Q



HR-18-533, HR-18-533-Q  
 HR-14-533, HR-14-533-Q



**Design and function**

Spool valve with two or three fixed positions.

All ports are interchangeable.

This valve is also available in G 1/2.

Valves of this series are available for use with vacuum (–0.95 ... 12 bar/–14 ... 175 psi).

Order number changes in HR-18-320-Q, HR-14-320-Q, HR-18-520-Q, HR-14-520-Q, HR-18-530-Q, HR-14-530-Q, HR-18-533-Q and HR-14-533-Q.

Order number	HR-18-320	HR-14-320	HR-18-520	HR-14-520	HR-18-530	HR-14-530	HR-18-533	HR-14-533
<b>Function</b>	3/2-way 2 fixed positions		5/2-way 2 fixed positions		5/3-way center position closed		5/3-way center position exhausted	
<b>Connection</b>	G 1/8	G 1/4	G 1/8	G 1/4	G 1/8	G 1/4	G 1/8	G 1/4
<b>Nominal size</b>	6 mm	9 mm	6 mm	9 mm	5 mm	9 mm	5 mm	9 mm
<b>Flow rate</b>	750 NI/min (0.762 Cv)	1580 NI/min (1.606 Cv)	750 NI/min (0.762 Cv)	1580 NI/min (1.606 Cv)	650 NI/min (0.661 Cv)	1300 NI/min (1.321 Cv)	650 NI/min (0.661 Cv)	1300 NI/min (1.321 Cv)
<b>Pressure range</b>	0 ... 12 bar (0 ... 175 psi)							
<b>Actuating force at 6 bar</b>	16 N	24 N	16 N	24 N	18 N	28 N	18 N	28 N
<b>Temperature range</b>	– 10 °C ... + 70 °C (+ 14 °F ... + 158 °F)							
<b>Materials</b>	Body: Al (anodized), Inner parts: Al, stainless steel, Lever: stainless steel, Seals: NBR and POM							
<b>Weight</b>	0.268 kg (0.591 lb.)	0.485 kg (1.069 lbs.)	0.312 kg (0.688 lb.)	0.564 kg (1.243 lbs.)	0.312 kg (0.688 lb.)	0.564 kg (1.243 lbs.)	0.312 kg (0.688 lb.)	0.564 kg (1.243 lbs.)

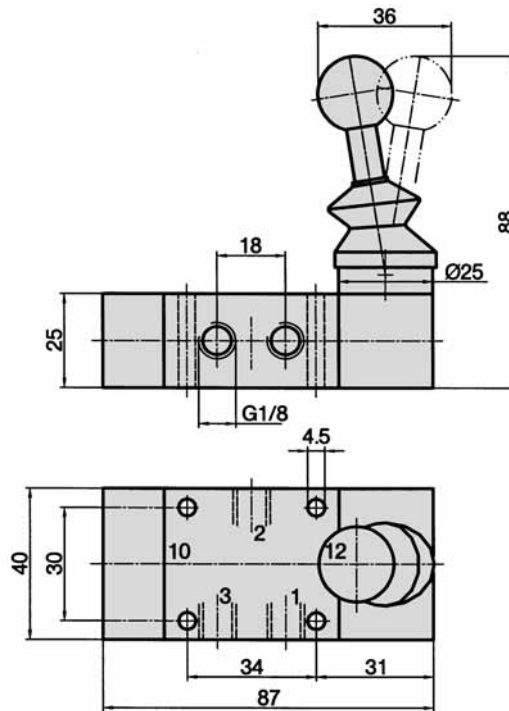
**Hand lever valves**  
**3/2-way, G 1/8 – G 1/2,**  
**750 – 3300 NI/min (0.762 – 3.354 Cv)**



**Dimensions for series**

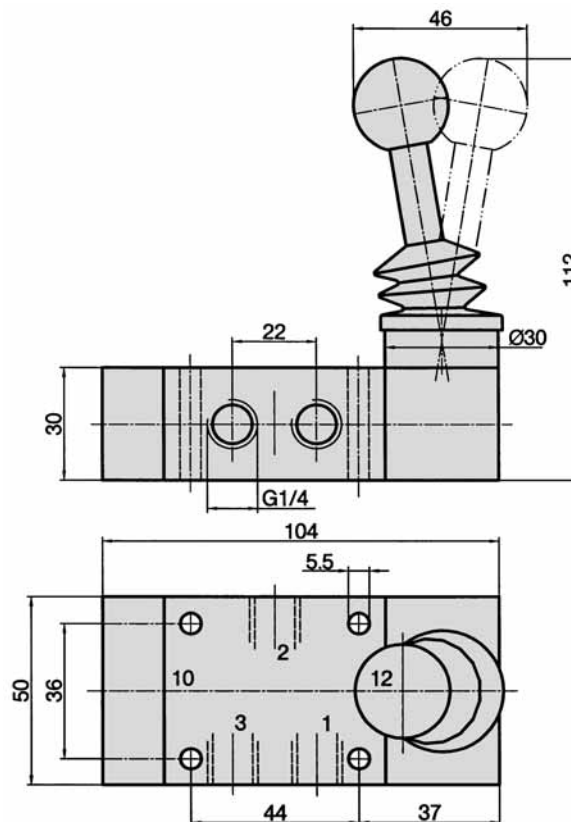
**HF, HR**

HF-18-310, HF-18-310-Q, HR-18-320, HR-18-320-Q



1 = pressure inlet  
 2 = outlet  
 3 = exhaust  
 All ports are interchangeable.

HF-14-310, HF-14-310-Q, HR-14-320, HR-14-320-Q



1 = pressure inlet  
 2 = outlet  
 3 = exhaust  
 All ports are interchangeable.

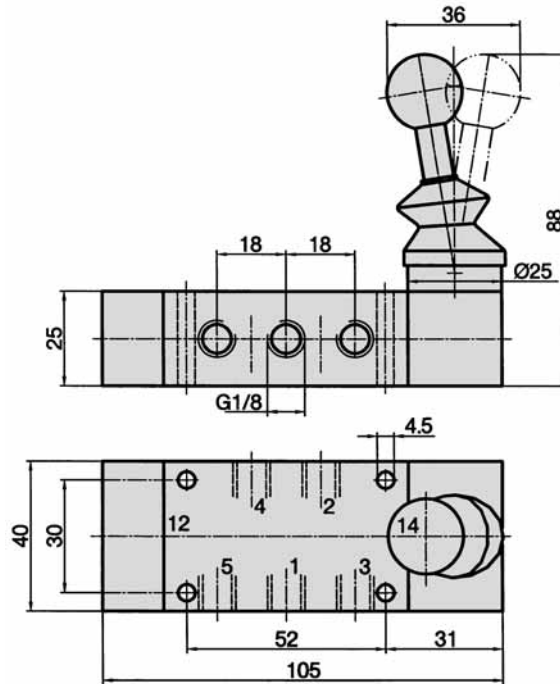
**Hand lever valves**  
**5/2- and 5/3-way, G 1/8 – G 1/2,**  
**750 – 3300 NI/min (0.762 – 3.354 Cv)**



**Dimensions for series**

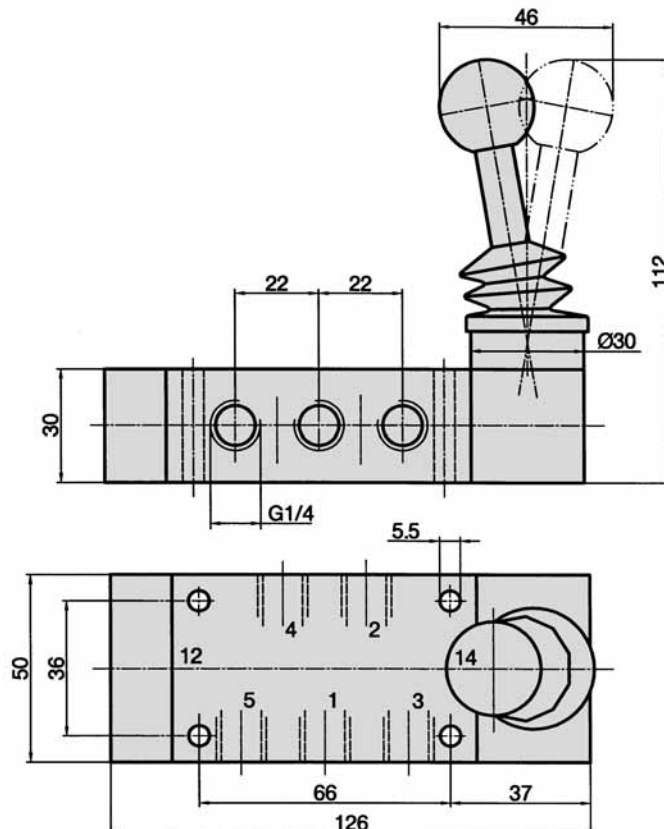
**HF, HR**

HF-18-510, HF-18-530, HF-18-533, HR-18-520, HR-18-530, HR-18-533  
 HF-18-510-Q, HF-18-530-Q, HF-18-533-Q, HR-18-520-Q, HR-18-530-Q, HR-18-533-Q



1 = pressure inlet  
 2, 4 = outlets  
 3, 5 = exhausts  
 All ports are interchangeable.

HF-14-510, HF-14-530, HF-14-533, HR-14-520, HR-14-530, HR-14-533  
 HF-14-510-Q, HF-14-530-Q, HF-14-533-Q, HR-14-520-Q, HR-14-530-Q, HR-14-533-Q



1 = pressure inlet  
 2, 4 = outlets  
 3, 5 = exhausts  
 All ports are interchangeable.