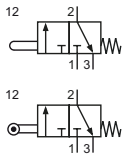


**Technical details**

<b>Connection</b>	G1/8
<b>Nominal size</b>	4 mm
<b>Temperature range</b>	-10°C ... +70°C
<b>Medium</b>	Filtered, oil-free and dried compressed air according to ISO 8573-1:2010, Class 7:2:4, instrument air, free of aggressive additives. Differing the pressure dew point must be at least 10°C below lowest occurring ambient temperature.
<b>Materials</b>	Body: Al (anodized), seals: NBR, inner parts: Al, stainless steel and brass, stem, lever: stainless steel, roller: plastic



Mechanically operated seat valve.

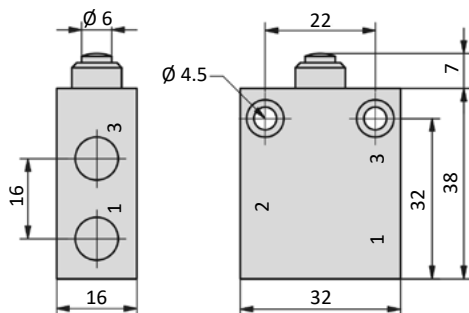
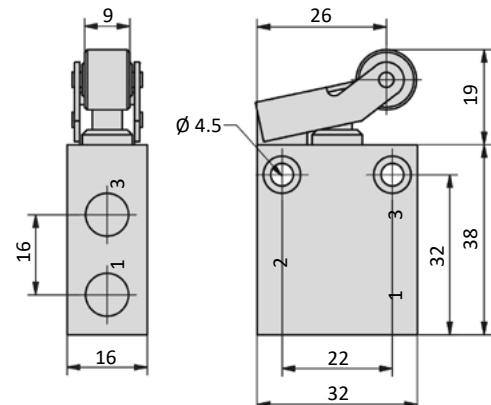
**3/2-way-Valves**


**E-28-310**  
3/2-way, mechanical spring return, stem operated

**ER-28-310**  
3/2-way, mechanical spring return, roller operated

**Technical data**

Model-no.:	E-28-310	ER-28-310
<b>Operating pressure (bar)</b>	0 ... 12	0 ... 12
<b>Flow rate (NI/min)</b>	210	210
<b>Actuating force at 6 bar (N)</b>	16	9
<b>Pre-stroke (mm)</b>	1	2
<b>Actuation stroke (mm)</b>	1	1
<b>Pre actuation stroke (mm)</b>	2	2
<b>Weight (kg)</b>	0.053	0.063

**Dimensions**
**E-28-310**

**ER-28-310**


- 1 = pressure inlet
- 2 = outlets
- 3 = exhausts