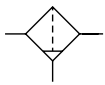


**Technical details**

<b>Temperature range</b>	-10°C ... +60°C
<b>Input range</b>	1.5 ... 16 bar
<b>Mounting</b>	vertically, drain at bottom
<b>Medium</b>	compressed air according to ISO 8573-1:2010, neutral gases
<b>Materials</b>	Body: zinc diecasting, bowl: PC, seals: NBR, inner parts: POM

Sintered filter according to the centrifugal force principle.


**Order code**

<b>FK*-*-00-*-**01</b>	
<b>Series</b>	<b>Versions</b>
FK standard	<b>Digit 1 Bowl</b>
FKF Coalescing filter	1 PC
FKM Micro filter	2 metal
FKA Activated carbon filter	4 PC with guard
<b>Connection</b>	<b>Digit 2 Drain</b>
18 G1/8	0 without
14 G1/4	<b>2 semi-automatic (standard)</b>
	3 automatic, NO (open at 0 bar input pressure)
	4 automatic, NC (closed at 0 bar input pressure)
	<b>Filter element</b>
	<b>5 5 µm (standard)</b>
	3 0.3 µm
	1 0.01 µm
	A Activated carbon filter 0.005 µm

# Filter FK

## Technical data

Model-no.:	FK-18	FK-14	FKF-18	FKF-14
Connection	G1/8	G1/4	G1/8	G1/4
Flow (NI/min)	1000*	1000*	350**	600**
Bowl volume (cm <sup>3</sup> )	16	16	16	16
Weight (kg)	0.25	0.24	0.26	0.25

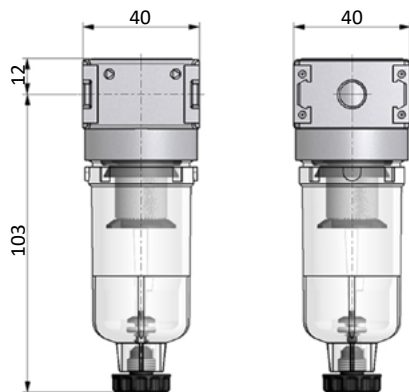
\* Measured at p1 = 6 bar and Δp = 1 bar \*\* Measured at p1 = 6 bar and Δp = 0.2 bar

Model-no.:	FKM-18	FKM-14	FKA-18	FKA-14
Connection	G1/8	G1/4	G1/8	G1/4
Flow (NI/min)	230*	450*	310**	380**
Bowl volume (cm <sup>3</sup> )	16	16	-	-
Weight (kg)	0.26	0.25	0.26	0.27

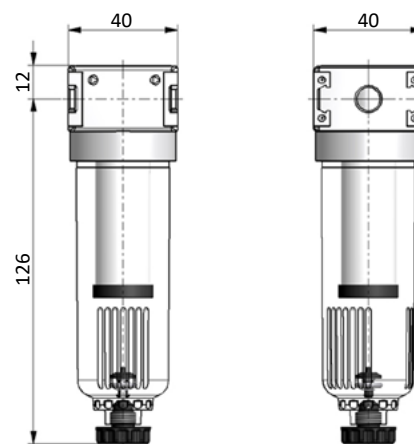
\* Measured at p1 = 6 bar and Δp = 0.1 bar \*\* Measured at p1 = 6 bar and Δp = 0.2 bar

## Dimensions

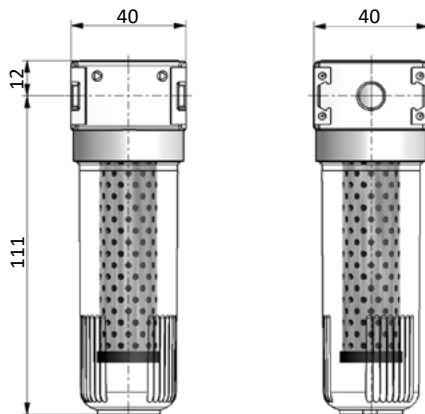
### FK



### FKF, FKM

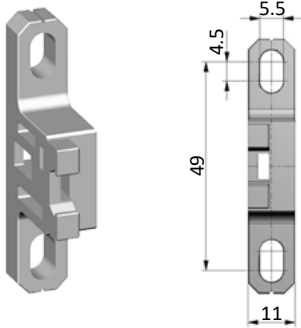


### FKA



**Mounting bracket WK-00**

Mounting bracket (set of two pieces) made of PA 66. Mounting only sidewise possible.

**WK-00****Coupling kit KPK****KPK-00**