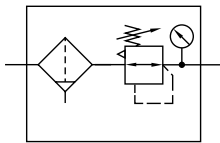


Filter regulator FRK

Technical details

Temperature range	-10°C ... +60°C
Input range	1.5 ... 16 bar
Mounting	vertically, drain at bottom
Medium	compressed air according to ISO 8573-1:2010, neutral gases
Materials	Body: zinc diecasting, bowl: PC, seals: NBR, inner parts: zinc coated steel, stainless steel and brass

Combination of pressure regulator with diaphragm and relieving feature and sintered filter according to the centrifugal force principle.
Locking: rotary lock possible.



Order code

FRK-***-**-5-****	
Series	Versions
Connection	Digit 1 Bowl
18 G1/8	1 PC
14 G1/4	2 metal
	4 PC with guard
Output range	Digit 2 Drain
03 0.1 ... 3 bar	2 semi-automatic (standard)
06 0.2 ... 6 bar	3 automatic, NO (open at 0 bar input pressure)
10 0.5 ... 10 bar (standard)	4 automatic, NC (closed at 0 bar input pressure)
Filter element	Digit 3 Gauge, flow direction
5 5 µm	0 without gauge, flow from left to right
	1 without gauge, flow from right to left
	2 with gauge, flow from left to right (standard)
	3 with gauge, flow from right to left
	Digit 4
	1 standard
	2 key lockable

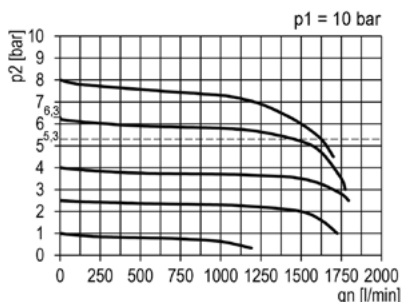
Filter regulator FRK

Technical data

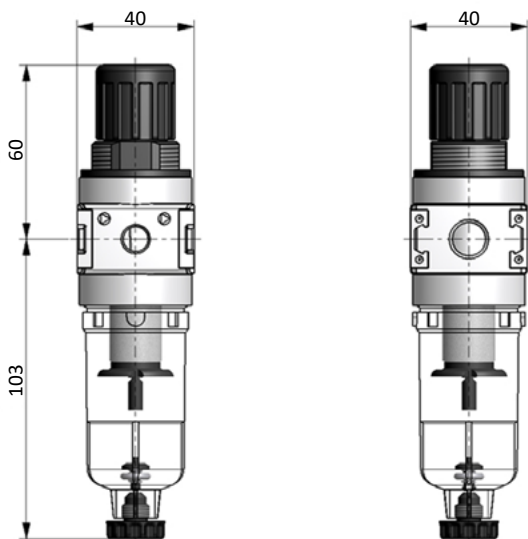
Model-no.:	FRK-18-...	FRK-14-...
Connection	G1/8	G1/4
Flow (NI/min)	1450	1450
Bowl volume (cm ³)	16	16
Weight (kg)	0.30	0.29

Flow characteristic

FRK-18, FRK-14

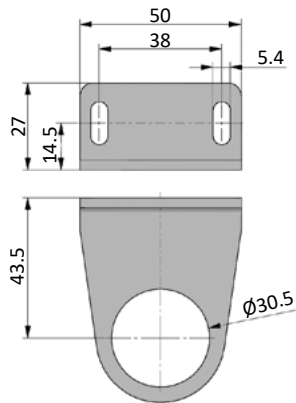


Dimensions

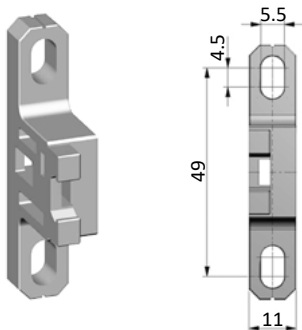


Mounting bracket WK

Mounting bracket made of zinc coated steel. Assembling with mounting nut (not included).

WK-30

Mounting bracket WK-00

Mounting bracket (set of two pieces) made of PA 66. Mounting only sidewise possible.

WK-00

Coupling kit KPK
KPK-00


Gauge MXA

Technical details

Temperature range	-20°C ... +60°C
Accuracy class	2.5 according to EN 837-1
Application	Constant load: 3/4 x scale value Alternating load: 2/3 x scale value
Materials	Body: steel or ABS, black Window: clear Dial: white with stop pin Scale black (bar) and blue (psi)
Temperature drift	± 0.4% / 10 K if deviation from normal temperature (+ 20°C)



Bourdon tube pressure gauge (EN 837-1), pressure connection rear.



Order code

Series		Connection	
40	40 mm	18	1/8
50	50 mm	14	1/4
63	63 mm		
Range			
06	0 ... 6 bar		
10	0 ... 10 bar		
16	0 ... 16 bar		

MXA-*-***-*****

Technical data

Model-no.:	MXA-50-06-14		MXA-50-10-14		MXA-50-16-14	
Connection	G1/4		R1/4		R1/4	
Standard for series	-		-		X1. X2. Y1. Y2	
Range	0 ... 6 bar		0 ... 10 bar		0 ... 16 bar	
Weight (kg)	0.071		0.071		0.071	
Model-no.:	MXA-40-06-18	MXA-40-10-18	MXA-40-16-18	MXA-63-06-14	MXA-63-10-14	MXA-63-16-14
Connection	G1/8	R1/8	R1/8	G1/4	G1/4	G1/4
Standard for series	-	-	K. RD	-	-	Y3
Range	0 ... 6 bar	0 ... 10 bar	0 ... 16 bar	0 ... 6 bar	0 ... 10 bar	0 ... 16 bar
Weight (kg)	0.071	0.071	0.071	0.080	0.080	0.080