

# Two piece air service unit FROK

## Technical details

<b>Temperature range</b>	-10°C ... +60°C
<b>Input range</b>	1.5 ... 16 bar
<b>Mounting</b>	vertically, Drain at bottom
<b>Medium</b>	compressed air according to ISO 8573-1:2010, neutral gases
<b>Materials</b>	Body: zinc diecasting, bowl: PC, seals: NBR, inner parts: zinc coated steel, stainless steel and brass

Combination of filter, regulator and lubricator.  
Locking: rotary lock possible.



## Order code

FROK-**-**-5-****	
<b>Series</b>	<b>Versions</b>
<b>Connection</b>	<b>Digit 1 Bowl</b>
18 G1/8	1 PC
14 G1/4	2 metal
<b>Output range</b>	4 PC with guard
03 0.1 ... 3 bar	<b>Digit 2 Drain</b>
06 0.2 ... 6 bar	2 <b>semi-automatic (standard)</b>
<b>10 0.5 ... 10 bar (standard)</b>	3 automatic, NO (open at 0 bar input pressure)
<b>Filter element</b>	4 automatic, NC (closed at 0 bar input pressure)
5 5 µm	<b>Digit 3 Gauge, flow direction</b>
	0 without gauge, flow from left to right
	1 without gauge, flow from right to left
	2 <b>with gauge, flow from left to right (standard)</b>
	3 with gauge, flow from right to left
	<b>Digit 4</b>
	1 standard
	2 key lockable

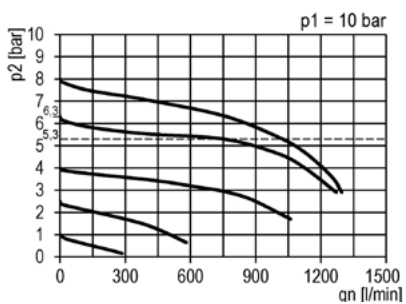
## Two piece air service unit FROK

### Technical data

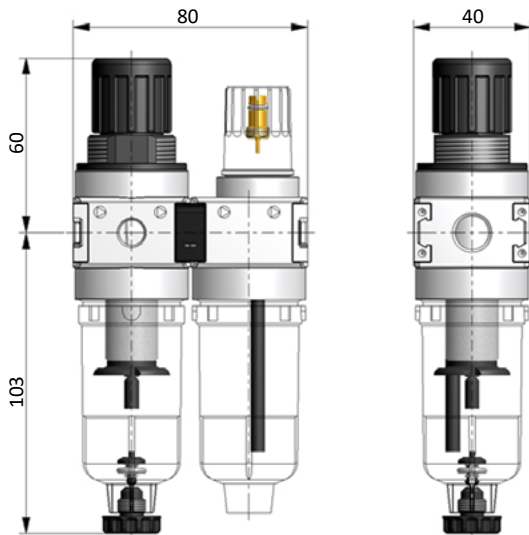
Model-no.:	FROK-18-...	FROK-14-...
Connection	G1/8	G1/4
Flow (NI/min)	750	750
Lubricator operating limit (NI/min)	28	28
Bowl volume (cm <sup>3</sup> )	16	16
Bowl volume lubricator (cm <sup>3</sup> )	35	35
Weight (kg)	0.55	0.53

### Flow characteristic

#### FROK-18, FROK-14

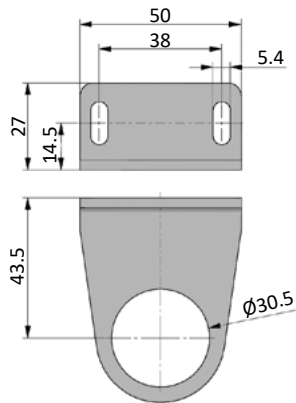


### Dimensions

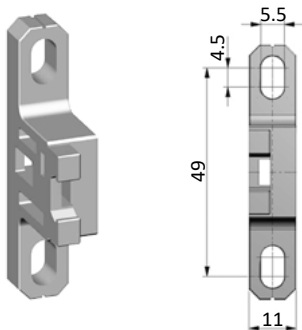


**Mounting bracket WK**

Mounting bracket made of zinc coated steel. Assembling with mounting nut (not included).

**WK-30**

**Mounting bracket WK-00**

Mounting bracket (set of two pieces) made of PA 66. Mounting only sidewise possible.

**WK-00**

**Coupling kit KPK**
**KPK-00**


# Gauge MXA

## Technical details

<b>Temperature range</b>	-20°C ... +60°C
<b>Accuracy class</b>	2.5 according to EN 837-1
<b>Application</b>	Constant load: 3/4 x scale value Alternating load: 2/3 x scale value
<b>Materials</b>	Body: steel or ABS, black Window: clear Dial: white with stop pin Scale black (bar) and blue (psi)
<b>Temperature drift</b>	± 0.4% / 10 K if deviation from normal temperature (+ 20°C)



Bourdon tube pressure gauge (EN 837-1), pressure connection rear.



## Order code

Series		Connection	
40	40 mm	18	1/8
50	50 mm	14	1/4
63	63 mm		
Range			
06	0 ... 6 bar		
10	0 ... 10 bar		
16	0 ... 16 bar		

**MXA-\*\*\*-\*\*\*-\*\*\***

## Technical data

Model-no.:	MXA-50-06-14		MXA-50-10-14		MXA-50-16-14	
<b>Connection</b>	G1/4		R1/4		R1/4	
<b>Standard for series</b>	-		-		X1. X2. Y1. Y2	
<b>Range</b>	0 ... 6 bar		0 ... 10 bar		0 ... 16 bar	
<b>Weight (kg)</b>	0.071		0.071		0.071	
Model-no.:	MXA-40-06-18	MXA-40-10-18	MXA-40-16-18	MXA-63-06-14	MXA-63-10-14	MXA-63-16-14
<b>Connection</b>	G1/8	R1/8	R1/8	G1/4	G1/4	G1/4
<b>Standard for series</b>	-	-	K. RD	-	-	Y3
<b>Range</b>	0 ... 6 bar	0 ... 10 bar	0 ... 16 bar	0 ... 6 bar	0 ... 10 bar	0 ... 16 bar
<b>Weight (kg)</b>	0.071	0.071	0.071	0.080	0.080	0.080