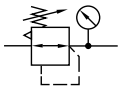


# Pressure regulator RKS

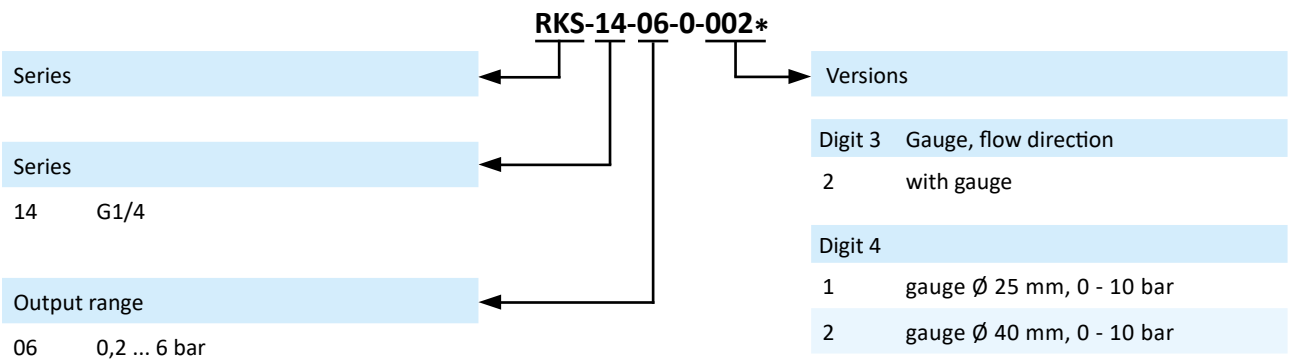
## Technical details

<b>Temperature range</b>	-10°C ... +60°C
<b>Input range</b>	max. 16 bar
<b>Mounting</b>	arbitrary
<b>Medium</b>	compressed air according to ISO 8573-1:2010, neutral gases
<b>Materials</b>	Body: zinc diecasting, seals: NBR, inner parts: zinc coated steel, stainless steel and brass

Pressure regulator with diaphragm and relieving feature. With gauge in the hand-wheel and panel nut.  
Locking: rotary lock possible.



## Order code



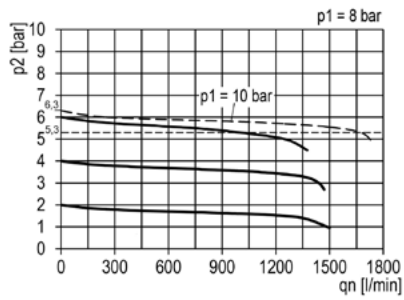
# Pressure regulator RKS

## Technical data

Model-no.:	RKS-14-06-0-0021	RKS-14-06-0-0022
Connection	G1/4	G1/4
Flow (NI/min)	1450	1450
Weight (kg)	0,34	0,39

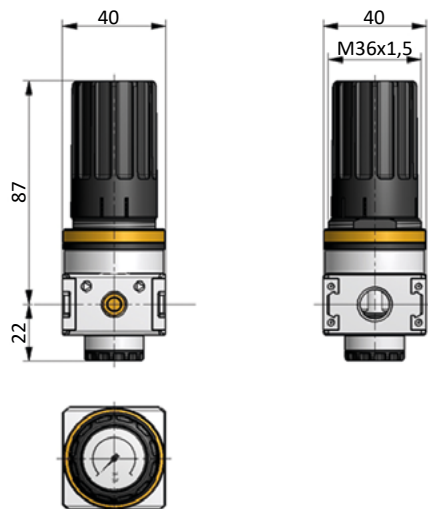
## Flow characteristic

### RKS-14

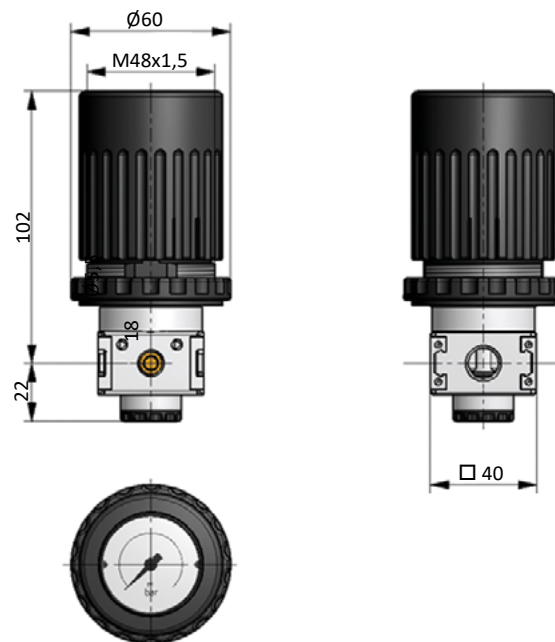


## Dimensions

### RKS-14-06-0-0021

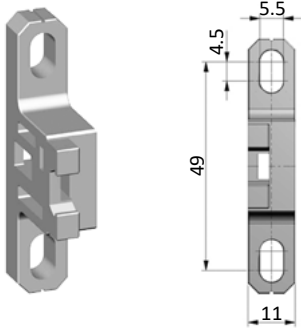


### RKS-14-06-0-0022



**Mounting bracket WK-00**

Mounting bracket (set of two pieces) made of PA 66. Mounting only sidewise possible.

**WK-00****Coupling kit KPK****KPK-00**