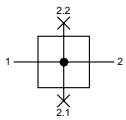


Distributor block TK

Technical details

Temperature range	-10°C ... +60°C
Input range	max. 16 bar
Mounting	arbitrary
Medium	compressed air according to ISO 8573-1:2010, neutral gases
Materials	Body: zinc diecasting, seals: NBR, inner parts: plastic and brass



Distributor block, 2 outlets

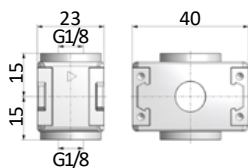
Order code

Series	TK-**-00-0-0001
Connection	
14 G1/4	

Technical data

Model-no.:	TK-14-00-0-0001
Connection	G1/4
Connection 2.1 (unten)	G1/8
Connection 2.2 (oben)	G1/8
Flow (1-2 in NI/min)	2700
Flow (1-2.1 in NI/min)	1300
Flow (1-2.2 in NI/min)	1300
Weight (kg)	0.13

Dimensions

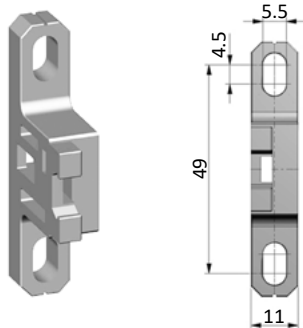


Fastening elements

Mounting bracket WK-00

Mounting bracket (set of two pieces) made of PA 66. Mounting only sidewise possible.

WK-00



Coupling kit KPK

KPK-00

