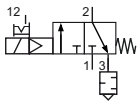


3/2-way inline valve VMK

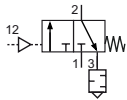
Technical details

Temperature range	-10°C ... +60°C
Input range	electrically operated: 2 ... 10 bar pneumatically operated: max. 16 bar
Mounting	arbitrary
Medium	compressed air according to ISO 8573-1:2010, neutral gases
Materials	Body: zinc diecasting, seals: NBR, inner parts: zinc coated steel, stainless steel and brass
Schutzart	IP 65 according to EN 60529

3/2-way poppet valve, electrically or pneumatically operated.
Silencer is mounted in exhaust.
Plug socket is included.



electrically operated
3/2-way, single solenoid, mechanical
spring return, NC



pneumatically operated
3/2-way, single pilot, mechanical
spring return, NC

Order code

Series		VMK-**-00-0-000*		Versions	
Connection	14 G1/4	Digit 4	Version		
		A	24 V DC, 3 W		
		D	115 V AC, 7.9 VA		
		E	230 V AC, 7.9 VA		
		F	pneumatically operated		

Technical data

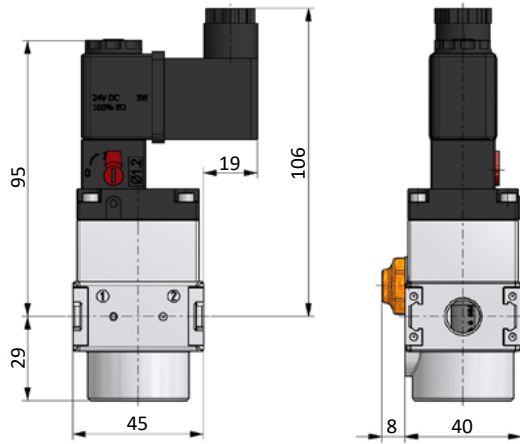
Model-no.:	VMK-14-...
Connection	G1/4
Flow (1-2 in NI/min)	1600
Weight(Version A-E) (kg)	0.46
Weight(Version F) (kg)	0.54

3/2-way inline valve VMK

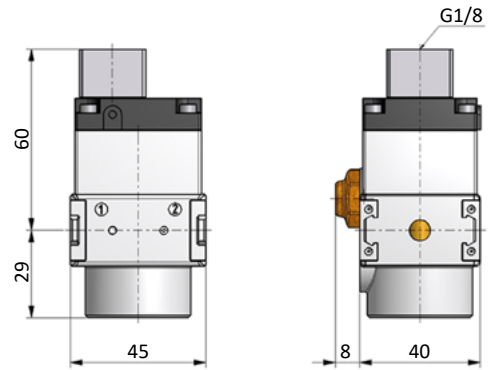


Dimensions

electrically operated

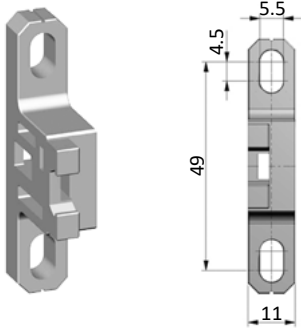


pneumatically operated



Mounting bracket WK-00

Mounting bracket (set of two pieces) made of PA 66. Mounting only sidewise possible.

WK-00**Coupling kit KPK****KPK-00**