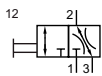


## Technical details

<b>Temperature range</b>	-10°C ... +60°C
<b>Input range</b>	max. 16 bar
<b>Mounting</b>	arbitrary
<b>Medium</b>	compressed air according to ISO 8573-1:2010, neutral gases
<b>Materials</b>	Body: zinc diecasting, seals: NBR, inner parts: plastic and brass

3/2 directional control valve, operated by a knob.  
 Locking: padlock possible.  
 Silencer is mounted in exhaust.



## Order code

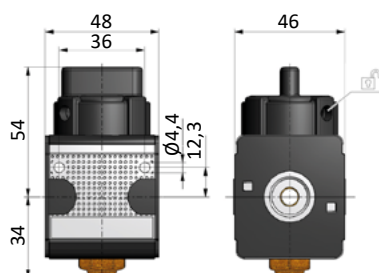
Series	<b>KX-**-00-0-0001</b>
Connection / Size	
14 G1/4 / X1	
37 G3/8 / X1	
12 G1/2 / X2	
34 G3/4 / X2	

## Technical data

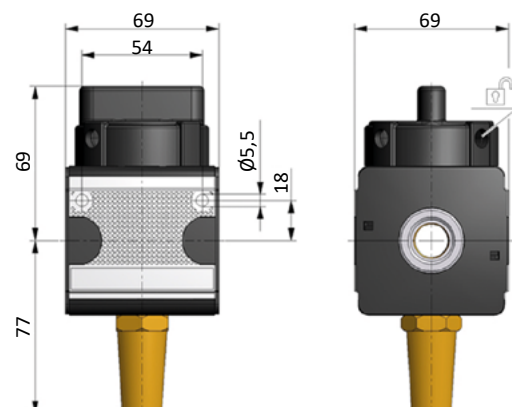
Model-no.:	KX-14-...	KX-37-...	KX-12-...	KX-34-...
<b>Connection</b>	G1/4	G3/8	G1/2	G3/4
<b>Size</b>	X1	X1	X2	X2
<b>Flow (1-2 in NI/min)</b>	2800	2800	11000	11000
<b>Weight (kg)</b>	0.35	0.34	0.79	0.77

## Dimensions

### Size X1



### Size X2

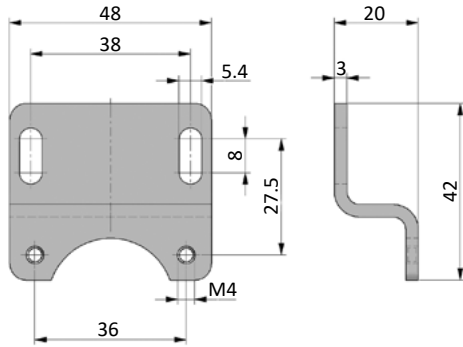


# Fastening elements

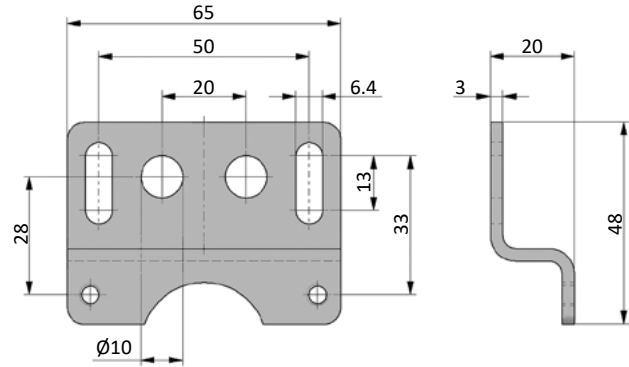
## Mounting brackets WX

Mounting brackets made of zinc coated steel.

### WX-11

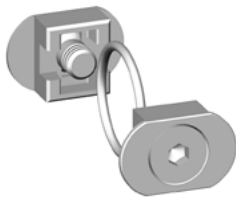


### WX-33



## Coupling kits KPX

### KPX-11



### KPX-33

