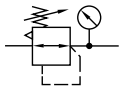


## Technical details

|                          |   |
|--------------------------|---|
| <b>Temperature range</b> | -10°C ... +60°C   |
| <b>Input range</b>       | max. 16 bar   |
| <b>Mounting</b>          | arbitrary   |
| <b>Medium</b>            | compressed air according to ISO 8573-1:2010, neutral gases                                      |
| <b>Materials</b>         | Body: zinc diecasting, seals: NBR,<br>inner parts: zinc coated steel, stainless steel and brass |

Pressure regulator with diaphragm and relieving feature.  
Locking: rotary lock possible.



## Order code

| Series                  |                                  | Versions       |   |
|-------------------------|----------------------------------|----------------|---|
| <b>RX-***-**-0-00**</b> |                                  | <b>Digit 3</b> | Gauge, flow direction                                 |
| ← Connection / Size     |                                  | 0              | without gauge, flow from left to right                |
| 14                      | G1/4 / X1                        | 1              | without gauge, flow from right to left                |
| 37                      | G3/8 / X1                        | 2              | <b>with gauge, flow from left to right (standard)</b> |
| 12                      | G1/2 / X2                        | 3              | with gauge, flow from right to left                   |
| 34                      | G3/4 / X2                        | <b>Digit 4</b> |   |
| ← Output range          |                                  | 1              | standard  |
| 03                      | 0.2 ... 3 bar                    | 2              | key lockable  |
| 06                      | 0.5 ... 6 bar                    |                |   |
| 10                      | <b>0.5 ... 10 bar (standard)</b> |                |   |

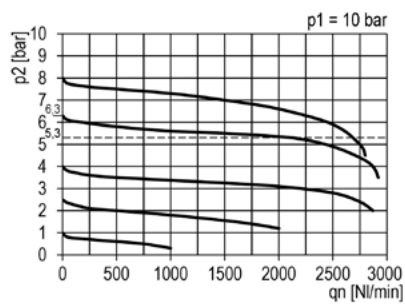
# Pressure regulator RX

## Technical data

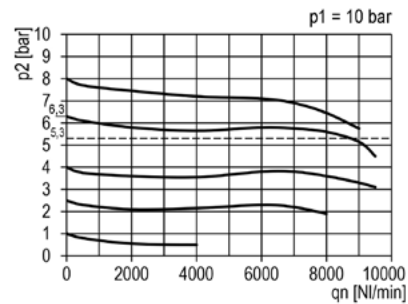
| Model-no.:    | RX-14-... | RX-37-... | RX-12-... | RX-34-... |
|---------------|-----------|-----------|-----------|-----------|
| Connection    | G1/4      | G3/8      | G1/2      | G3/4      |
| Size          | X1        | X1        | X2        | X2        |
| Flow (NI/min) | 2000      | 2000      | 8800      | 8800      |
| Weight (kg)   | 0.32      | 0.31      | 0.80      | 0.77      |

## Flow characteristic

RX-14, RX-37



RX-12, RX-34



## Accessories

Mounting brackets WK



Mounting brackets WX



Coupling kits KPX



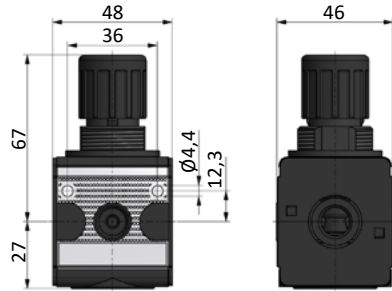
Mounting nut RM



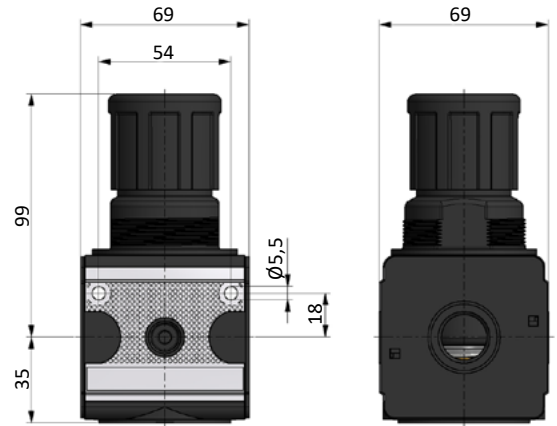
Details: see page 04

## Dimensions

### Size X1



### Size X2

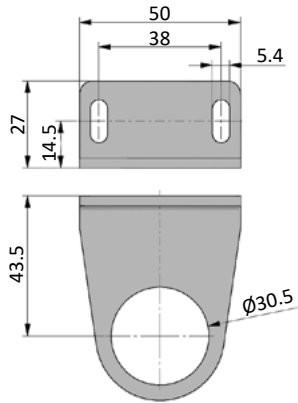


## Fastening elements

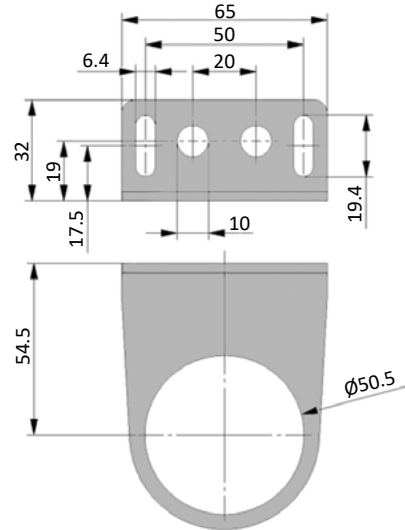
### Mounting brackets WK

Mounting brackets made of zinc coated steel. Assembling with mounting nut (not included).

#### WK-30



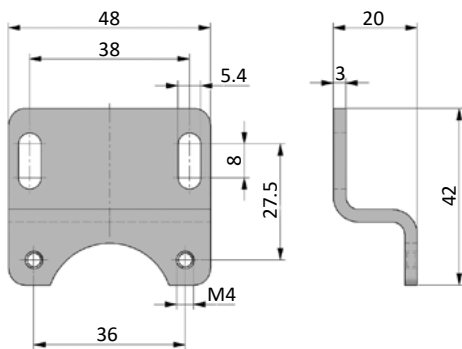
#### WK-50



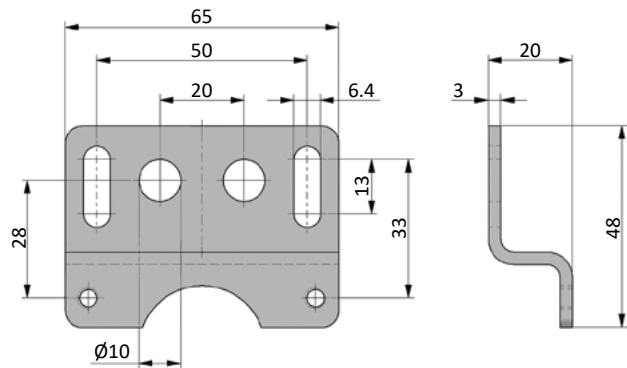
### Mounting brackets WX

Mounting brackets made of zinc coated steel.

#### WX-11

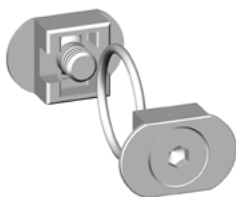


#### WX-33

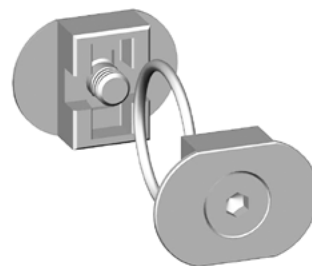


### Coupling kits KPX

#### KPX-11



#### KPX-33



## Technical details

|                          |   |
|--------------------------|---|
| <b>Temperature range</b> | -20°C ... +60°C   |
| <b>Accuracy class</b>    | 2.5 according to EN 837-1   |
| <b>Application</b>       | Constant load: 3/4 x scale value<br>Alternating load: 2/3 x scale value                                     |
| <b>Materials</b>         | Body: steel or ABS, black<br>Window: clear<br>Dial: white with stop pin<br>Scale black (bar) and blue (psi) |
| <b>Temperature drift</b> | ± 0.4% / 10 K if deviation from normal temperature (+ 20°C)   |



Bourdon tube pressure gauge (EN 837-1), pressure connection rear.



## Order code

| Series   |              | Connection |     |
|----------|--------------|------------|-----|
|          |              | 18         | 1/8 |
|          |              | 14         | 1/4 |
| Diameter |              |            |     |
| 40       | 40 mm        |            |     |
| 50       | 50 mm        |            |     |
| 63       | 63 mm        |            |     |
| Range    |              |            |     |
| 06       | 0 ... 6 bar  |            |     |
| 10       | 0 ... 10 bar |            |     |
| 16       | 0 ... 16 bar |            |     |

**MXA-\*\*-\*\*\*-\*\*\***

## Technical data

| Model-no.:                 | MXA-50-06-14 |              | MXA-50-10-14 |              | MXA-50-16-14   |              |
|----------------------------|--------------|--------------|--------------|--------------|----------------|--------------|
| <b>Connection</b>          | G1/4         |              | R1/4         |              | R1/4           |              |
| <b>Standard for series</b> | -            |              | -            |              | X1. X2. Y1. Y2 |              |
| <b>Range</b>               | 0 ... 6 bar  |              | 0 ... 10 bar |              | 0 ... 16 bar   |              |
| <b>Weight (kg)</b>         | 0.071        |              | 0.071        |              | 0.071          |              |
| Model-no.:                 | MXA-40-06-18 | MXA-40-10-18 | MXA-40-16-18 | MXA-63-06-14 | MXA-63-10-14   | MXA-63-16-14 |
| <b>Connection</b>          | G1/8         | R1/8         | R1/8         | G1/4         | G1/4           | G1/4         |
| <b>Standard for series</b> | -            | -            | K. RD        | -            | -              | Y3           |
| <b>Range</b>               | 0 ... 6 bar  | 0 ... 10 bar | 0 ... 16 bar | 0 ... 6 bar  | 0 ... 10 bar   | 0 ... 16 bar |
| <b>Weight (kg)</b>         | 0.071        | 0.071        | 0.071        | 0.080        | 0.080          | 0.080        |