

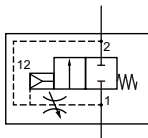
Soft start valve DAY

Technical details

Temperature range	-10°C ... +50°C
Input range	2.5 ... 16 bar (size Y0 max. 12 bar)
Mounting	arbitrary
Medium	compressed air according to ISO 8573-1:2010, neutral gases
Materials	Body: Grivory (PA66), seals: NBR, inner parts: plastic, stainless steel and brass



Poppet valve, operated by secondary pressure
The filling time is adjustable.



Order code

Series	DAY-***-00-0-0001
Connection / Size	
04	G1/4 / Y0
14	G1/4 / Y1
37	G3/8 / Y1
38	G3/8 / Y2
12	G1/2 / Y2
34	G3/4 / Y3
10	G1 / Y3

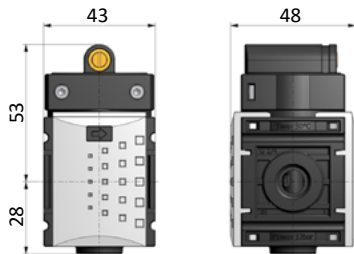
Technical data

Model-no.:	DAY-04-...	DAY-14-...	DAY-37-...	DAY-38-...	DAY-12-...	DAY-34-...	DAY-10-...
Connection	G1/4	G1/4	G3/8	G3/8	G1/2	G3/4	G1
Size	Y0	Y1	Y1	Y2	Y2	Y3	Y3
Flow	2000	2000	2000	4500	4500	10000	10000
Weight (kg)	0.14	0.24	0.22	0.54	0.52	0.79	0.63

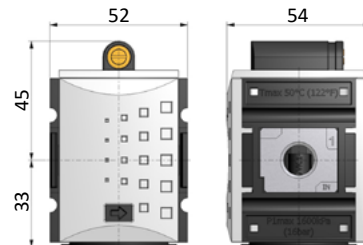
Soft start valve DAY

Dimensions

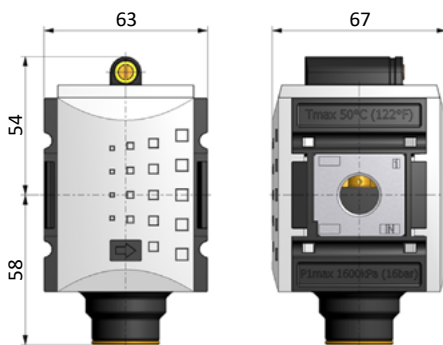
Size Y0



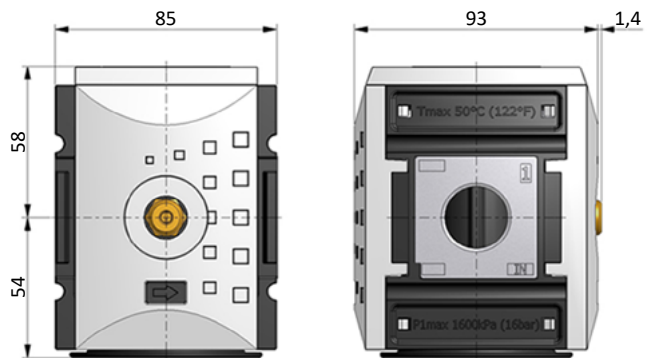
Size Y1



Size Y2



Size Y3

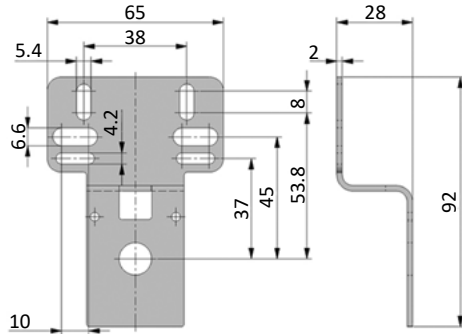


Bracket kit WYP

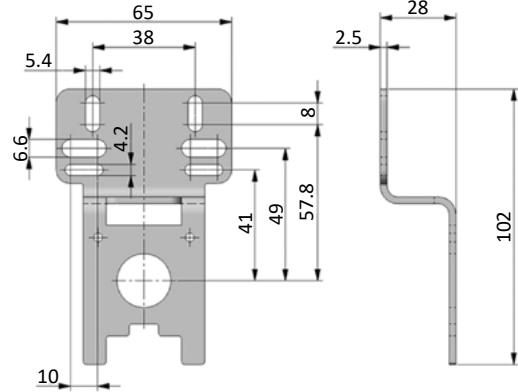
Bracket kit made of zinc coated steel.

The bracket can be mounted at the rear side after removing the rear cover of the unit. The 2 mounting screws are included.

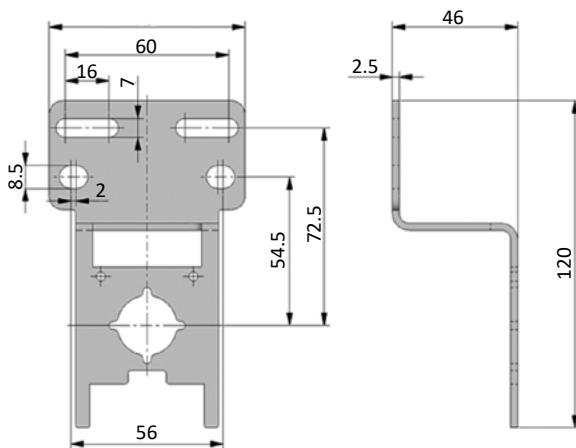
WYP-00



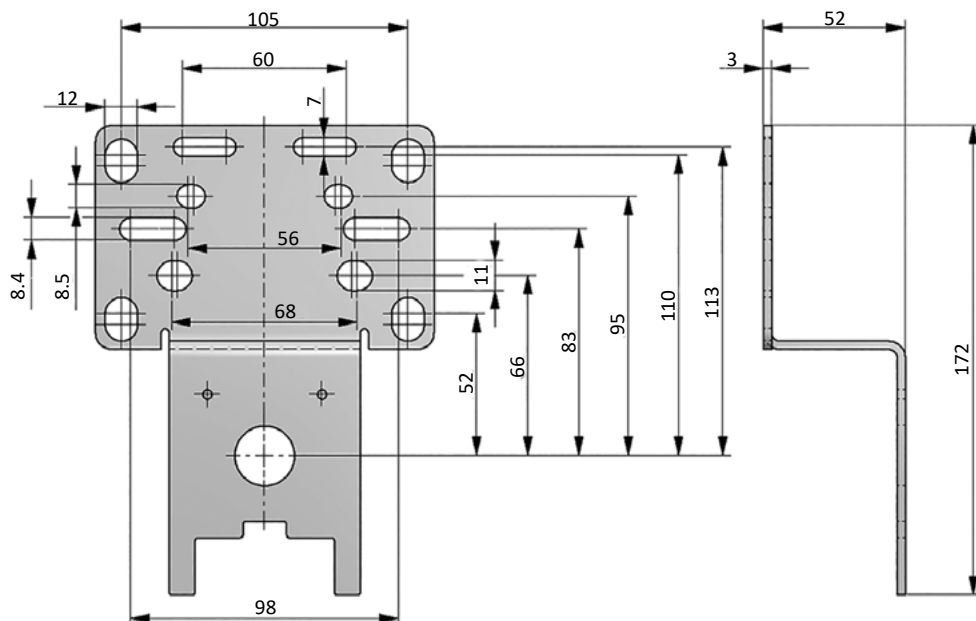
WYP-01



WYP-02



WYP-03



Coupling kits

Coupling kits KPY-K

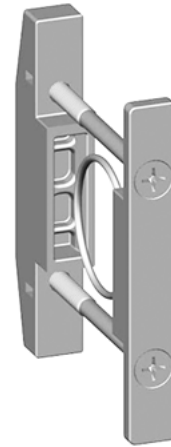
KPY-00-K, KPY-01-K



KPY-02-K

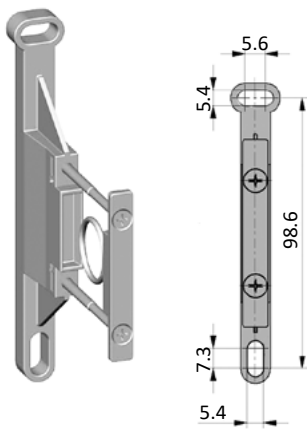


KPY-03-K

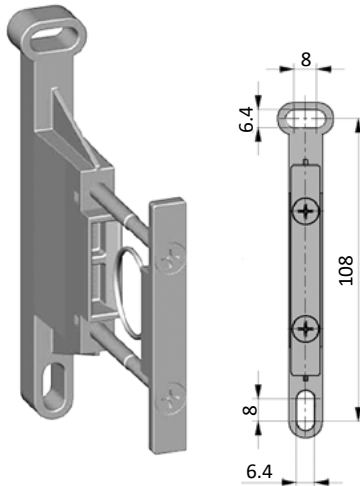


Coupling kits for wall mounting KPY-W

KPY-00-W, KPY-01-W



KPY-02-W



KPY-03-W

