

## Non-return valve NY

### Technical details

<b>Temperature range</b>	-10°C ... +50°C
<b>Input range</b>	2.5 ... 16 bar ( size Y0 max. 12 bar )
<b>Mounting</b>	arbitrary
<b>Medium</b>	compressed air according to ISO 8573-1:2010, neutral gases
<b>Materials</b>	Body: Grivory (PA66), seals: NBR, inner parts: plastic, stainless steel and brass



Poppet valve, spring loaded.



### Order code

Series	NY-**-00-0-0001 ↳ ↳
Connection / Size	
04 G1/4 / Y0	
14 G1/4 / Y1	
37 G3/8 / Y1	
38 G3/8 / Y2	
12 G1/2 / Y2	
34 G3/4 / Y3	
10 G1 / Y3	

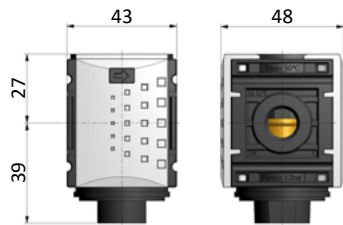
### Technical data

Model-no.:	NY-04-...	NY-14-...	NY-37-...	NY-38-...	NY-12-...	NY-34-...	NY-10-...
<b>Connection</b>	G1/4	G1/4	G3/8	G3/8	G1/2	G3/4	G1
<b>Size</b>	Y0	Y1	Y1	Y2	Y2	Y3	Y3
<b>Flow</b>	2000	2000	2000	4500	4500	10000	10000
<b>Weight (kg)</b>	0.14	0.24	0.22	0.54	0.52	0.79	0.63

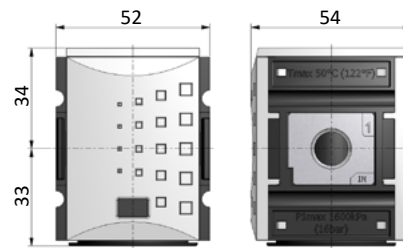
# Non-return valve NY

## Dimensions

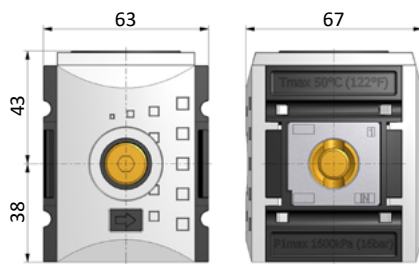
### Size Y0



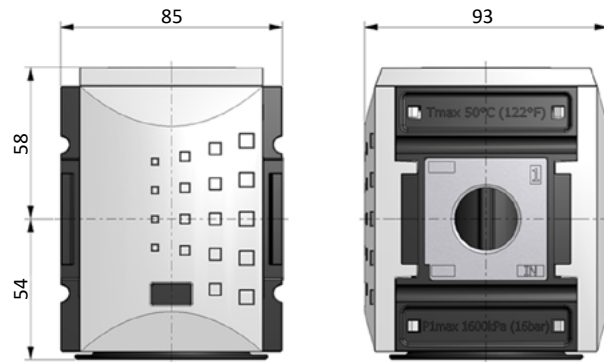
### Size Y1



### Size Y2



### Size Y3

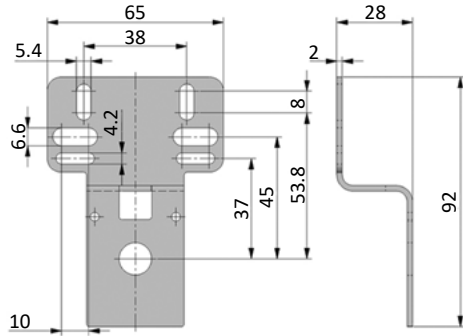


## Bracket kit WYP

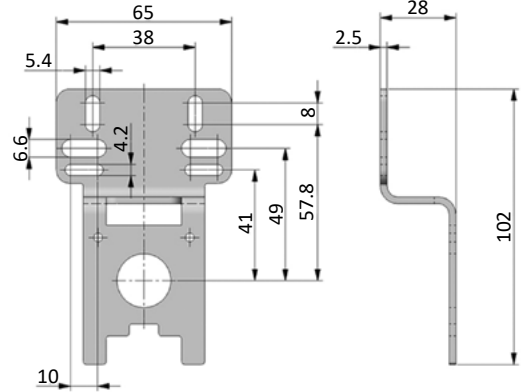
Bracket kit made of zinc coated steel.

The bracket can be mounted at the rear side after removing the rear cover of the unit. The 2 mounting screws are included.

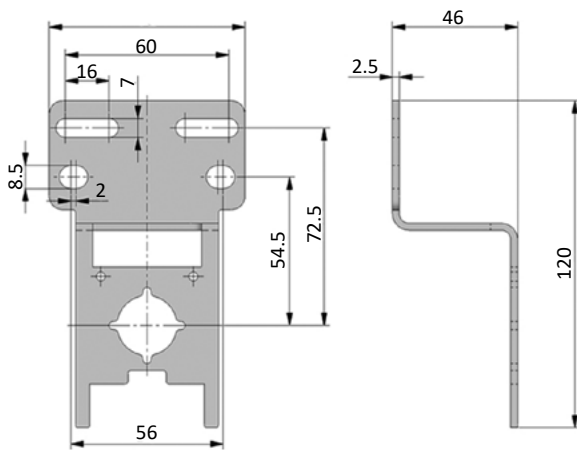
### WYP-00



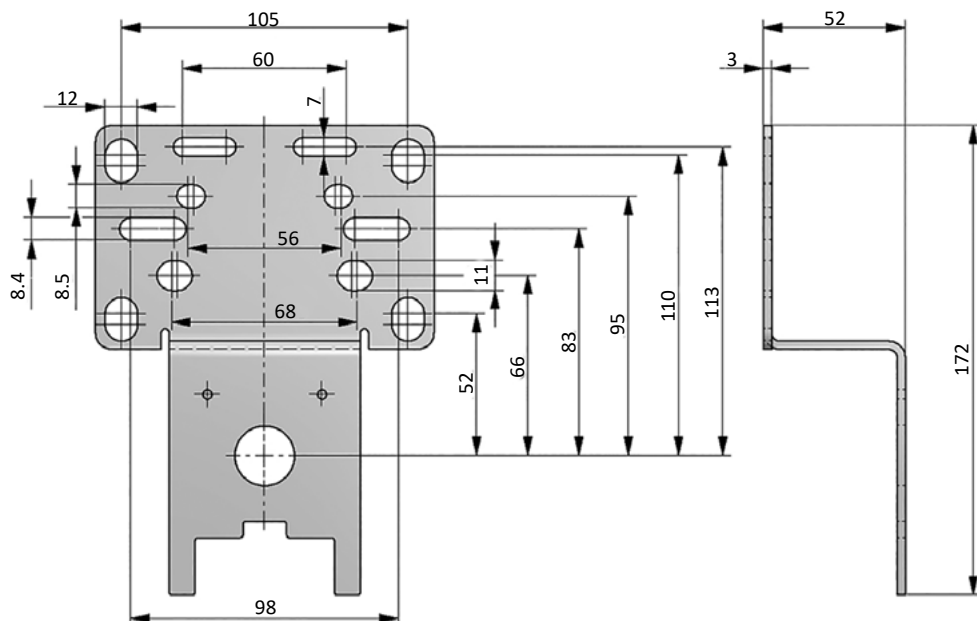
### WYP-01



### WYP-02



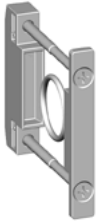
### WYP-03



# Coupling kits

## Coupling kits KPY-K

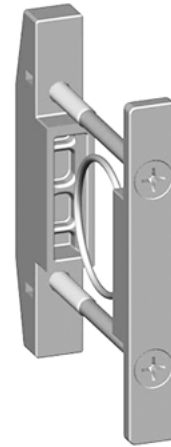
KPY-00-K, KPY-01-K



KPY-02-K

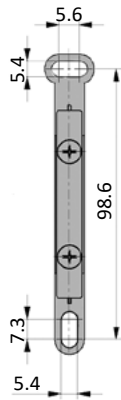
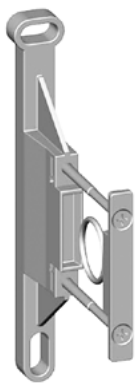


KPY-03-K

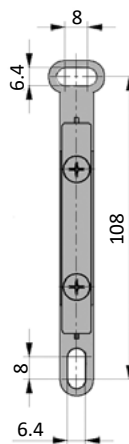
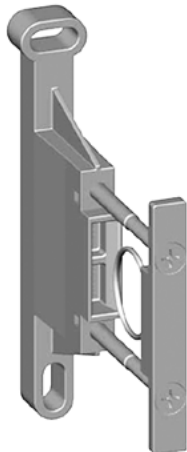


## Coupling kits for wall mounting KPY-W

KPY-00-W, KPY-01-W



KPY-02-W



KPY-03-W

