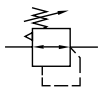


Precision pressure regulator RYP

Technical details

| | |
|--------------------------|---|
| Temperature range | -10°C ... +50°C |
| Input range | max. 16 bar |
| Mounting | arbitrary |
| Medium | compressed air according to ISO 8573-1:2010, neutral gases |
| Materials | Body: Grivory (PA66) and POM, seals: NBR, inner parts: zinc coated steel, stainless steel and brass |

Precision pressure regulator with diaphragm and relieving feature.
 Locking: rotary lock and padlock possible.



Order code

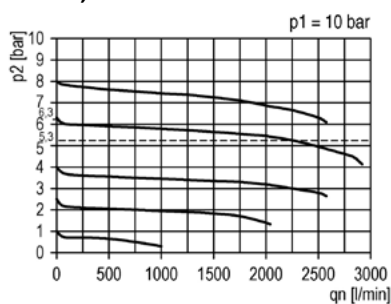
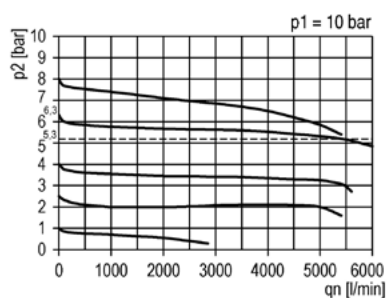
| RYP-***-**-0-00*1 | | Series | Versions |
|-------------------|-----------|------------------------------|---|
| Digit 1 | Digit 2 | Connection / Size | Digit 3 Gauge, flow direction |
| 14 | G1/4 / Y1 | 01 0.1 ... 1 bar | 0 without gauge, flow from left to right (standard) |
| 37 | G3/8 / Y1 | 02 0.1 ... 2 bar | 1 without gauge, flow from right to left |
| 38 | G3/8 / Y2 | 04 0.2 ... 4 bar | 2 with gauge, flow from left to right |
| 12 | G1/2 / Y2 | 08 0.5 ... 8 bar | 3 with gauge, flow from right to left |
| | | 10 0.5 ... 10 bar (standard) | |
| | | 16 0.5 ... 16 bar | |

Precision pressure regulator RYP

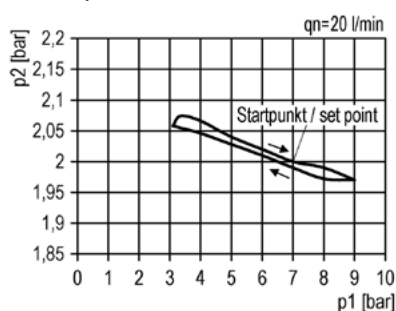
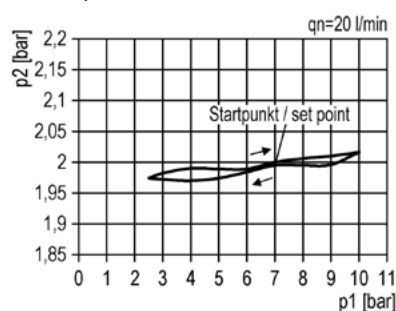
Technical data

| Model-no.: | RYP-14-... | RYP-37-... | RYP-38-... | RYP-12-... |
|--------------------------|----------------|----------------|----------------|----------------|
| Connection | G1/4 | G3/8 | G3/8 | G1/2 |
| Size | Y1 | Y1 | Y2 | Y2 |
| Flow (NI/min) | 2200 | 2200 | 5000 | 5000 |
| Internal air consumption | max. 2.6 l/min | max. 2.6 l/min | max. 2.6 l/min | max. 2.6 l/min |
| Weight (kg) | 0.30 | 0.29 | 0.51 | 0.49 |

Flow characteristic

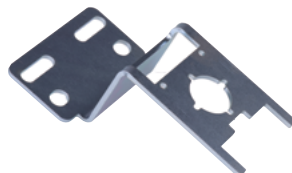
RYP-14, RYP-37

RYP-38, RYP-12


Hysterese

RYP-14, RYP-37

RYP-38, RYP-12


Accessories

Mounting brackets WYL

Mounting brackets WYP

Coupling kits for wall mounting KPY-W

Coupling kits KPY-K

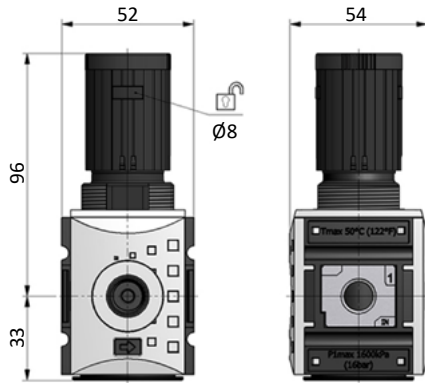
Mounting nut RMY


Details: see page 04

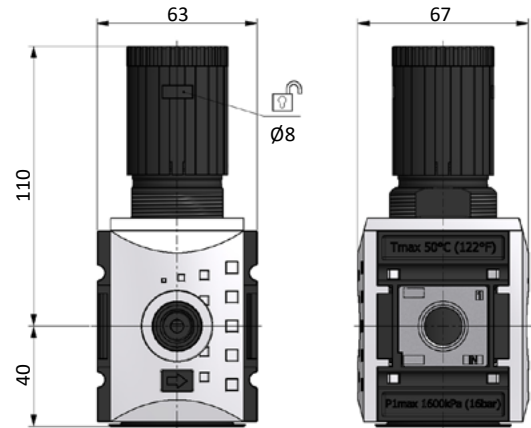
Precision pressure regulator RYP

Dimensions

Size Y1



Size Y2



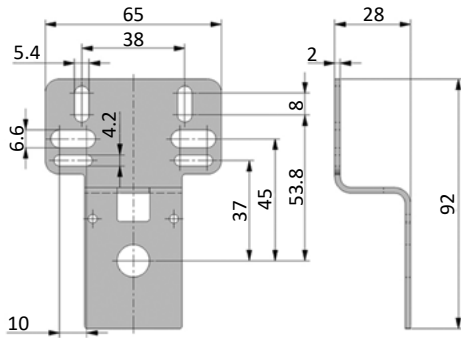
Fastening elements

Bracket kit WYP

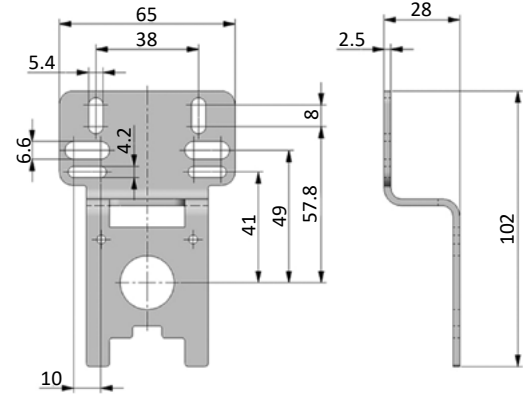
Bracket kit made of zinc coated steel.

The bracket can be mounted at the rear side after removing the rear cover of the unit. The 2 mounting screws are included.

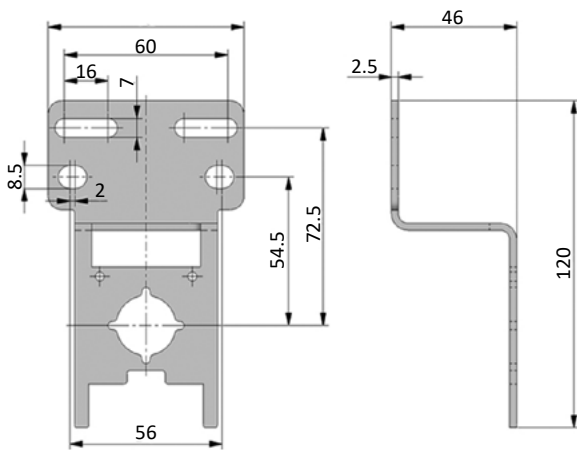
WYP-00



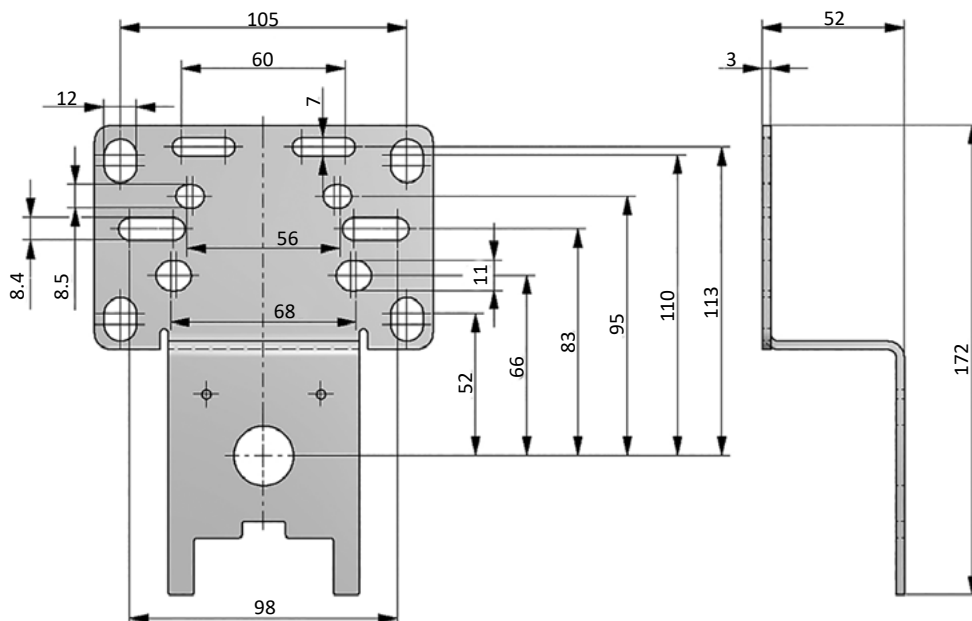
WYP-01



WYP-02

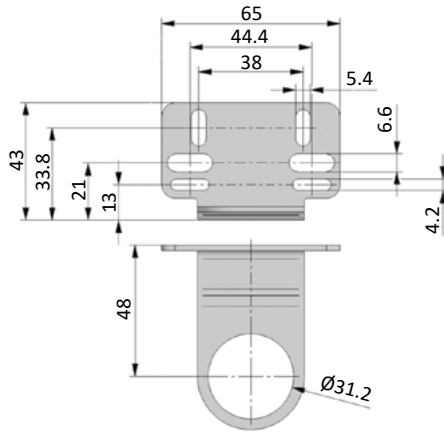
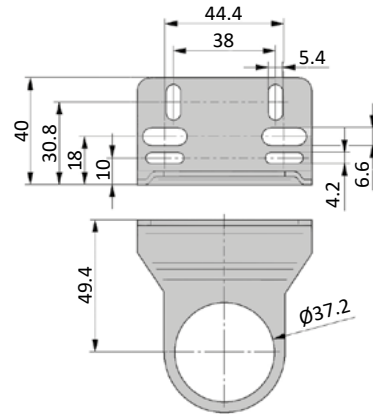
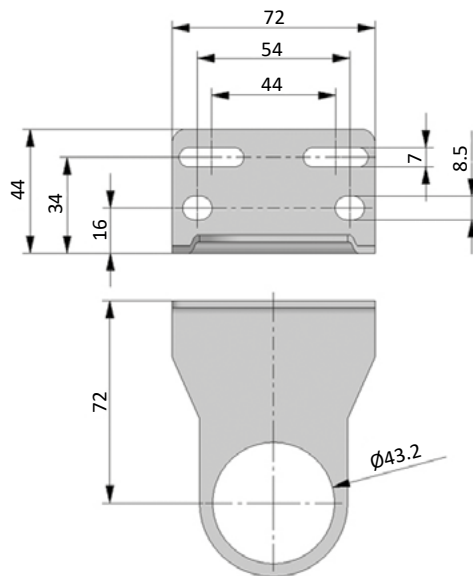


WYP-03

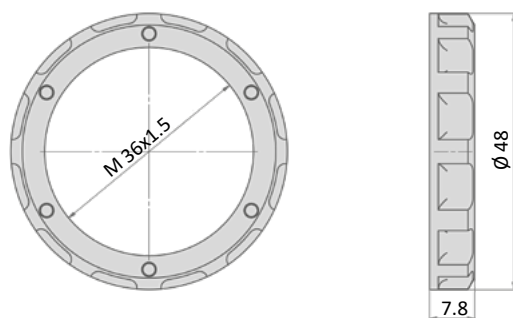
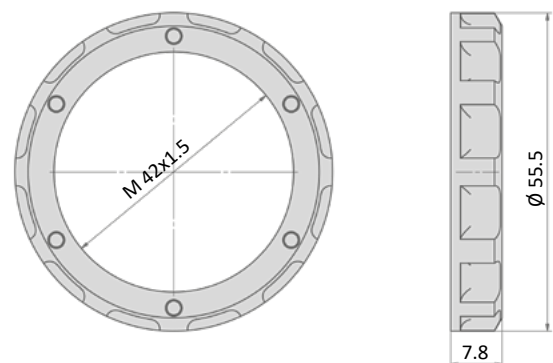


Mounting brackets WYL

Mounting brackets made of zinc coated steel. Assembling with mounting nut (not included).

WYL-00

WYL-01

WYL-02

Mounting nut RMY

Mounting nut made of plastic.

RMY-01

RMY-02


Coupling kits

Coupling kits KPY-K

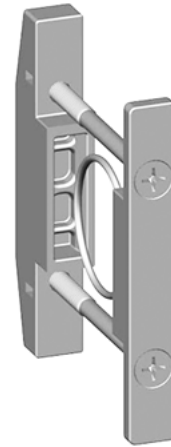
KPY-00-K, KPY-01-K



KPY-02-K

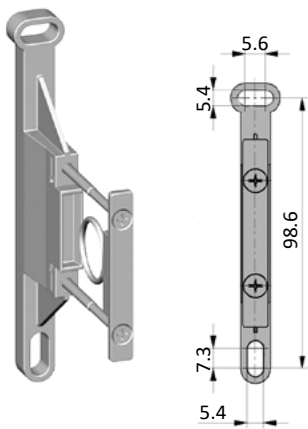


KPY-03-K

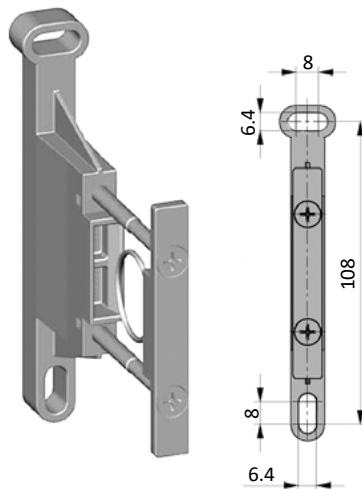


Coupling kits for wall mounting KPY-W

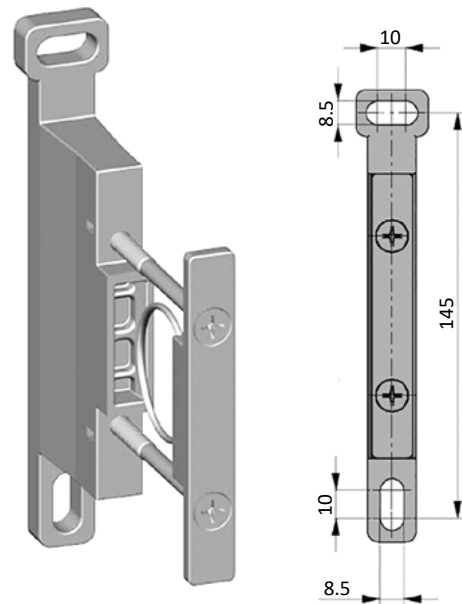
KPY-00-W, KPY-01-W



KPY-02-W



KPY-03-W



Technical details

| | |
|--------------------------|--|
| Temperature range | -20°C ... +60°C |
| Accuracy class | 2.5 according to EN 837-1 |
| Application | Constant load: 3/4 x scale value Alternating load: 2/3 x scale value |
| Materials | Body: ABS, black Window: plastic, clear, clipped-on Dial: plastic, white with stop pin Scale black (psi) and blue (bar) |
| Temperature drift | ± 0.4% / 10 K if deviation from normal temperature (+ 20°C) |



Bourdon tube pressure gauge (EN 837-1), pressure connection rear.



Order code

| Series | | Connection | |
|-----------------|--|------------|--|
| 40 40 mm | | 18 G1/8 | |
| 50 50 mm | | 14 G1/4 | |
| 63 63 mm | | | |
| Range | | | |
| 06 0 ... 6 bar | | | |
| 10 0 ... 10 bar | | | |
| 16 0 ... 16 bar | | | |

MXA--***-*****

Technical data

| Model-no.: | MXA-50-06-14 | | MXA-50-10-14 | | MXA-50-16-14 | |
|----------------------------|--------------|--|--------------|--|----------------|--|
| Connection | G1/4 | | G1/4 | | G1/4 | |
| Standard for series | - | | - | | X1. X2. Y1. Y2 | |
| Range | 0 ... 6 bar | | 0 ... 10 bar | | 0 ... 16 bar | |
| Weight (kg) | 0.071 | | 0.071 | | 0.071 | |

| Model-no.: | MXA-40-06-18 | MXA-40-10-18 | MXA-40-16-18 | MXA-63-06-14 | MXA-63-10-14 | MXA-63-16-14 |
|----------------------------|--------------|--------------|--------------|--------------|--------------|--------------|
| Connection | G1/8 | G1/8 | G1/8 | G1/4 | G1/4 | G1/4 |
| Standard for series | - | - | K. RD | - | - | Y3 |
| Range | 0 ... 6 bar | 0 ... 10 bar | 0 ... 16 bar | 0 ... 6 bar | 0 ... 10 bar | 0 ... 16 bar |
| Weight (kg) | 0.071 | 0.071 | 0.071 | 0.080 | 0.080 | 0.080 |