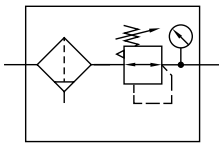


Filter regulator 90-FRC

Technical details

Temperature range	-10°C ... +60°C
Input range	1,5 ... 16 bar (2...12 bar bei automatischem Kondensatablass)
Mounting	vertically, drain at bottom
Medium	compressed air according to ISO 8573-1:2010, neutral gases
Materials	Body: zinc diecasting, bowl: PC, seals: NBR, inner parts: zinc coated steel, stainless steel and brass

Combination of pressure regulator with diaphragm and relieving feature and sintered filter according to the centrifugal force principle. Mounting brackets are included.

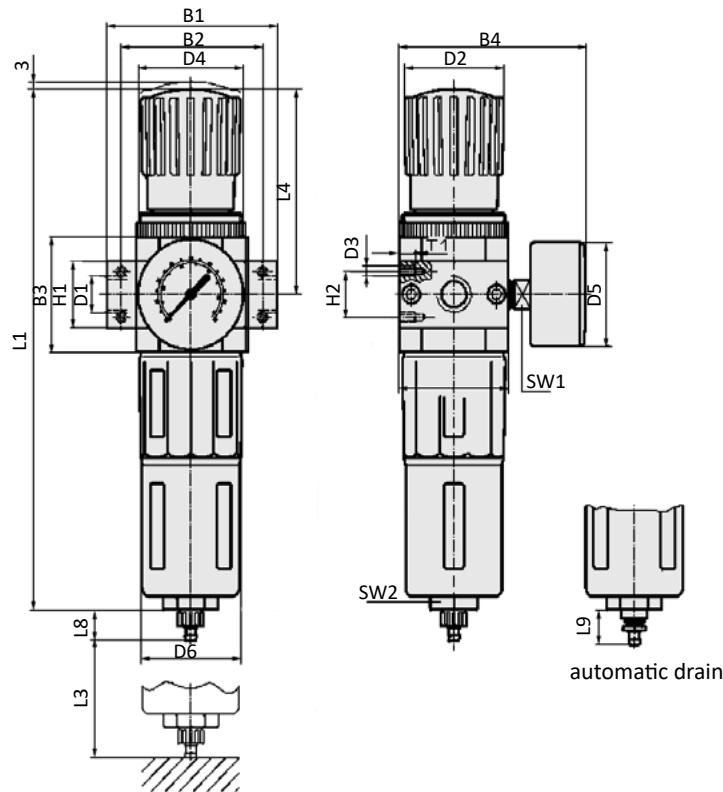


Order code

90-FRC-***-***-***-***	
Series	Versions
Connection / Size	Digit 1 Drain
18 G1/8 / 01	2 semi-automatic (standard)
14 G1/4 / 01	4 automatic, NC (closed at 0 bar input pressure)
37 G3/8 / 01	Digit 2 Gauge, flow direction
38 G3/8 / 02	0 without gauge
12 G1/2 / 02	2 with gauge, flow from left to right (standard)
33 G3/4 / 02	3 with gauge, flow from right to left
34 G3/4 / 03	Filter element
10 G1 / 03	05 5 µm
Output range	40 40 µm
07 0,5 ... 7 bar	
12 0,5 ... 12 bar	

Filter regulator 90-FRC

Dimensions



90-FRC-**	B1	B2	B3	B4	D1	ØD2	D3	D4	ØD5	ØD6
18	104	92	40	76	G1/8	31	M4	M36 x 1,5	41	38
14	104	92	40	76	G1/4	31	M4	M36 x 1,5	41	38
37	110	92	40	76	G3/8	31	M4	M36 x 1,5	41	38
38	140	125	55	95	G3/8	50	M5	M52 x 1,5	50	52
12	140	125	55	95	G1/2	50	M5	M52 x 1,5	50	52
33	140	125	55	95	G3/4	50	M5	M52 x 1,5	50	52
34	162	146	66	107	G3/4	52	M5	M52 x 1,5	50	65
10	182	157	66	107	G1	52	M5	M52 x 1,5	50	65

90-FRC-**	H1	H2	L1	L3	L4	L8	L9	T1	SW1	SW2
18	20	11	193	60	69	15	19	7	14	22
14	20	11	193	60	69	15	19	7	14	22
37	29	11	193	60	69	15	19	7	14	22
38	32	22	250	80	99	15	19	8	14	24
12	32	22	250	80	99	15	19	8	14	24
33	32	22	250	80	99	15	19	8	14	24
34	32	22	252	90	102	15	19	8	14	24
10	32	22	252	90	102	15	19	8	14	24