

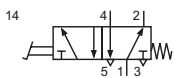
Technical details

Connection	G1/4
Nominal size (mm)	9
Temperature range	0°C ... +60°C
Medium	Filtered, oil-free and dried compressed air according to ISO 8573-1:2010, Class 7:2:4, instrument air, free of aggressive additives. Alternatively the pressure dew point must be at least 10°C below lowest occurring ambient temperature.
Materials	Body: Al (anodized), seals: NBR , inner parts: Al, steel

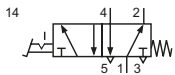


Foot pedal operated pool valve.

5/2-way-valves



84-4FF-511-14-H
5/2-way, pedal, mechanical spring return

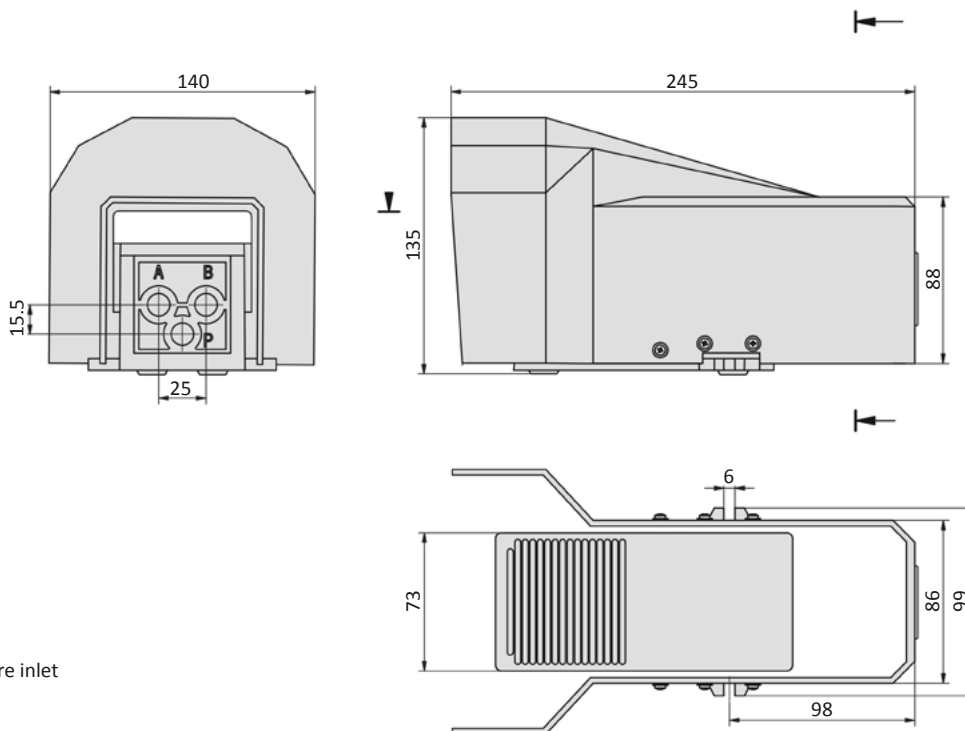


84-4FR-520-14-H
5/2-way, two positions, pedal, detent

Technical data

Model-no.:	84-4FF-511-14-H	84-4FR-520-14-H
Operating pressure (bar)	0 ... 8 bar	0 ... 8 bar
Flow rate (NI/min)	530	530
Weight (kg)	0.900	0.900

Dimensions



P = pressure inlet
A,B = outlets