

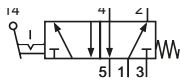
Technical details

Temperature range	0°C ... +60°C
Medium	Filtered, oil-free and dried compressed air according to ISO 8573-1:2010, Class 7:2:4, instrument air, free of aggressive additives. Alternatively the pressure dew point must be at least 10°C below lowest occurring ambient temperature.
Materials	Body: Al (anodized), seals: NBR, inner parts: Al and brass



Manually operated spool valve with toggle lever and detent function.

5/2-way-Ventil



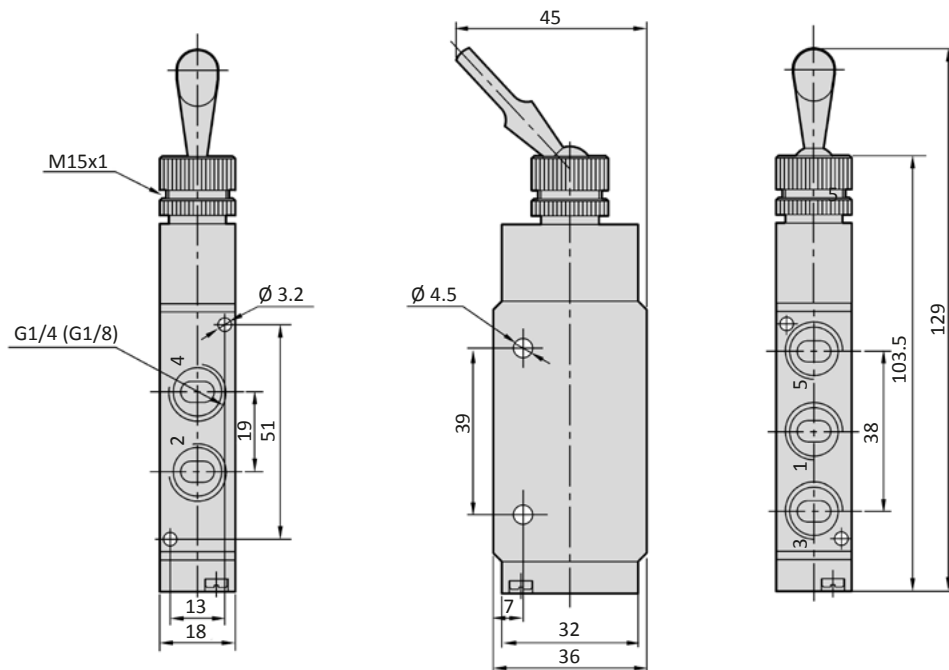
84-HPV-xx-520
5/2-way, with detent function

Please complete: xx = 18 for G1/8
xx = 14 for G1/4

Technical data

Model-no.:	84-HPV-18-520	84-HPV-14-520
Connection	G1/8	G1/4
Nominal size (mm)	4	5
Flow rate (NI/min)	750	980
Operating pressure (bar)	0 ... 8 bar	0 ... 8 bar
Weight (kg)	0.17	0.16

Dimensions



- 1 = pressure inlet
- 2,4 = outlets
- 3,5 = exhausts