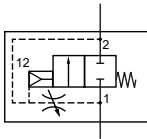


Technical details

Temperature range	-10°C ... +60°C
Input range	2.5 ... 16 bar
Mounting	arbitrary
Medium	compressed air according to ISO 8573-1:2010, neutral gases
Materials	Body: zinc diecasting, seals: NBR, inner parts: plastic, stainless steel and brass



Poppet valve, operated by secondary pressure
The filling time is adjustable.



Order code

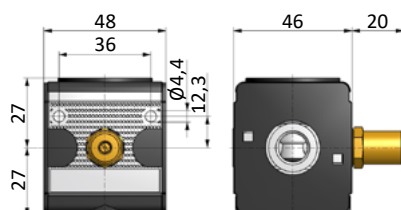
Series	DAX-**-00-0-0001	
Connection / Size	DAX-**-00-0-0001	
14	G1/4 / X1	
12	G1/2 / X2	

Technical data

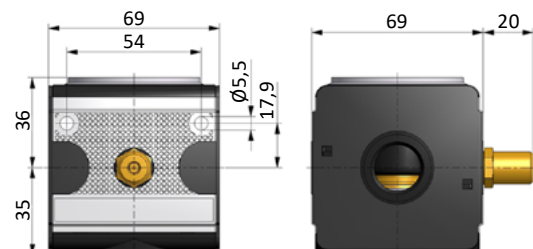
Model-no.:	DAX-14-...	DAX-12-...
Connection	G1/4	G1/2
Size	X1	X2
Flow	1000	4000
Weight (kg)	0.33	0.72

Dimensions

Size X1



Size X2

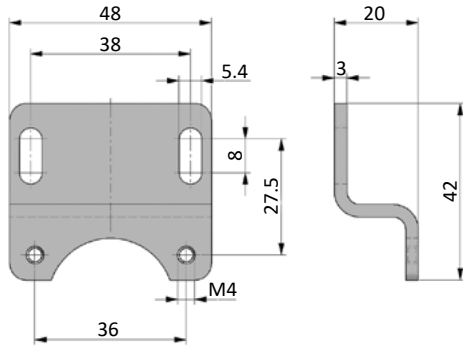


Fastening elements

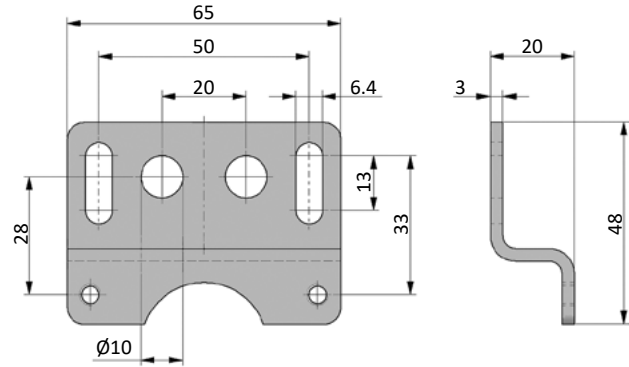
Mounting brackets WX

Mounting brackets made of zinc coated steel.

WX-11

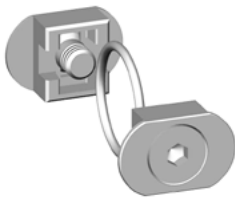


WX-33



Coupling kits KPX

KPX-11



KPX-33

