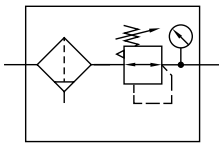


Technical details

Temperature range	-10°C ... +60°C
Input range	1.5 ... 16 bar
Mounting	vertically, drain at bottom
Medium	compressed air according to ISO 8573-1:2010, neutral gases
Materials	Body: zinc diecasting, bowl: PC, seals: NBR, inner parts: zinc coated steel, stainless steel and brass

Combination of pressure regulator with diaphragm and relieving feature and sintered filter according to the centrifugal force principle.
Locking: rotary lock possible.



Order code

Series		FRX-***-**-5-****		Versions	
Connection / Size		←		Digit 1	Bowl
14	G1/4 / X1	←		1	PC
37	G3/8 / X1	←		3	metal bowl with sight glass
12	G1/2 / X2	←		4	PC with guard
34	G3/4 / X2	←		Digit 2	Drain
Output range		←		2	semi-automatic (standard)
03	0.2 ... 3 bar	←		3	automatic, NO (open at 0 bar input pressure)
06	0.5 ... 6 bar	←		4	automatic, NC (closed at 0 bar input pressure)
10	0.5 ... 10 bar (standard)	←		Digit 3	Gauge, flow direction
Filter element		←		0	without gauge, flow from left to right
5	5 μm	←		1	without gauge, flow from right to left
				2	with gauge, flow from left to right (standard)
				3	with gauge, flow from right to left
				Digit 4	
				1	standard
				2	key lockable

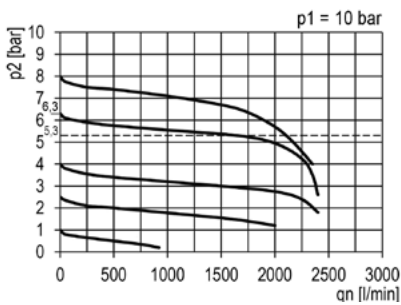
Filter regulator FRX

Technical data

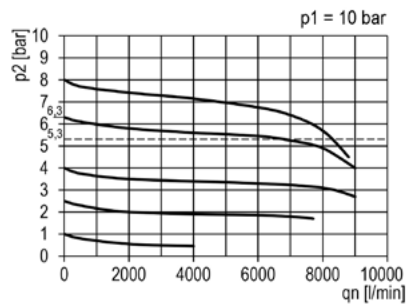
Model-no.:	FRX-14-...	FRX-37-...	FRX-12-...	FRX-34-...
Connection	G1/4	G3/8	G1/2	G3/4
Size	X1	X1	X2	X2
Flow (NI/min)	1650	1650	6700	6700
Bowl volume (cm ³)	25	25	50	50
Weight (kg)	0.37	0.36	0.89	0.87

Flow characteristic

FRX-14, FRX-37



FRX-12, FRX-34



Accessories

Mounting brackets WK



Mounting brackets WX



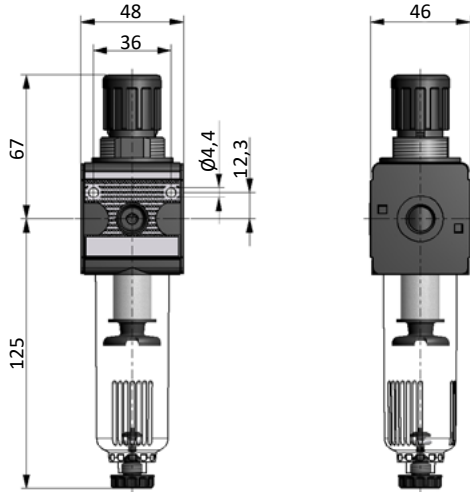
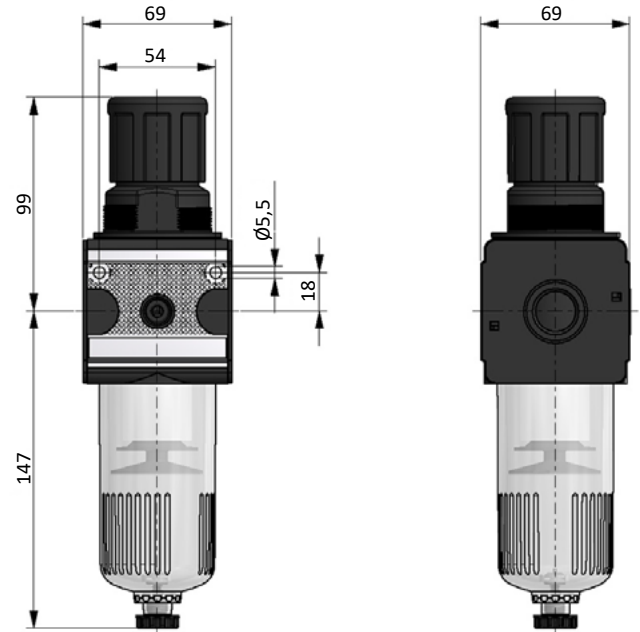
Coupling kits KPX



Mounting nut RM



Details: see page 04

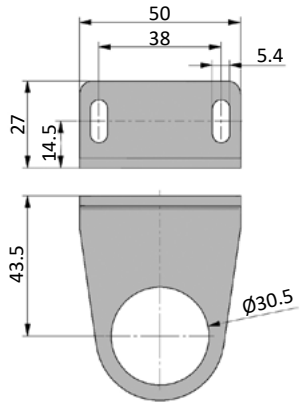
Dimensions
Size X1

Size X2


Fastening elements

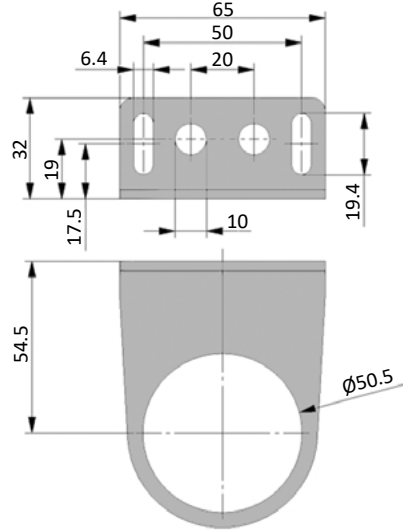
Mounting brackets WK

Mounting brackets made of zinc coated steel. Assembling with mounting nut (not included).

WK-30



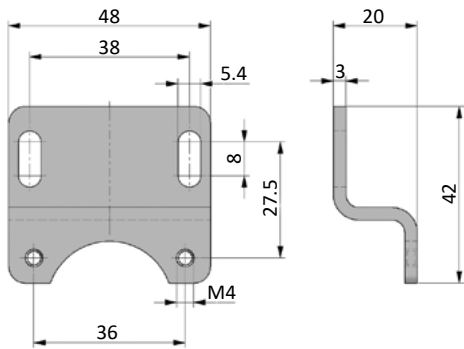
WK-50



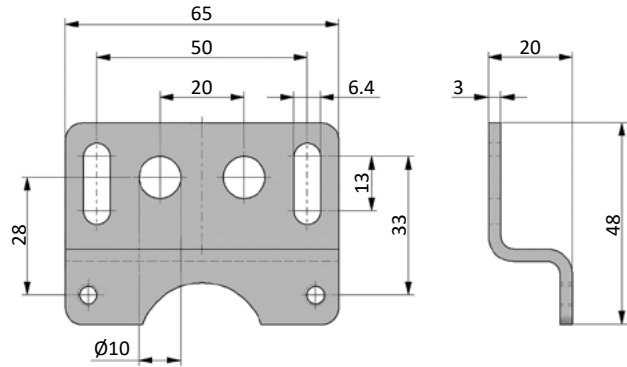
Mounting brackets WX

Mounting brackets made of zinc coated steel.

WX-11

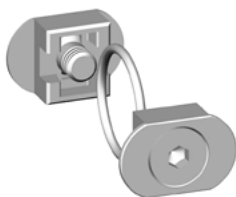


WX-33

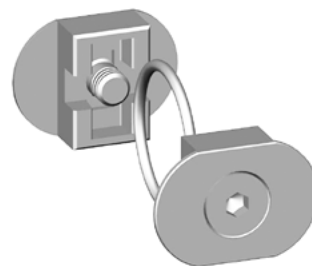


Coupling kits KPX

KPX-11



KPX-33



Technical details

Temperature range	-20°C ... +60°C
Accuracy class	2.5 according to EN 837-1
Application	Constant load: 3/4 x scale value Alternating load: 2/3 x scale value
Materials	Body: ABS, black Window: plastic, clear, clipped-on Dial: plastic, white with stop pin Scale black (bar) and blue (psi)
Temperature drift	± 0.4% / 10 K if deviation from normal temperature (+ 20°C)



Bourdon tube pressure gauge (EN 837-1), pressure connection rear.



Order code

Series		Connection	
MXA-**-***-***		18	G1/8
		14	G1/4
Diameter			
40	40 mm		
50	50 mm		
63	63 mm		
Range			
06	0 ... 6 bar		
10	0 ... 10 bar		
16	0 ... 16 bar		

Technical data

Model-no.:	MXA-50-06-14		MXA-50-10-14		MXA-50-16-14	
Connection	G1/4		G1/4		G1/4	
Standard for series	-		-		X1. X2. Y1. Y2	
Range	0 ... 6 bar		0 ... 10 bar		0 ... 16 bar	
Weight (kg)	0.071		0.071		0.071	

Model-no.:	MXA-40-06-18	MXA-40-10-18	MXA-40-16-18	MXA-63-06-14	MXA-63-10-14	MXA-63-16-14
Connection	G1/8	G1/8	G1/8	G1/4	G1/4	G1/4
Standard for series	-	-	K. RD	-	-	Y3
Range	0 ... 6 bar	0 ... 10 bar	0 ... 16 bar	0 ... 6 bar	0 ... 10 bar	0 ... 16 bar
Weight (kg)	0.071	0.071	0.071	0.080	0.080	0.080