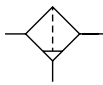
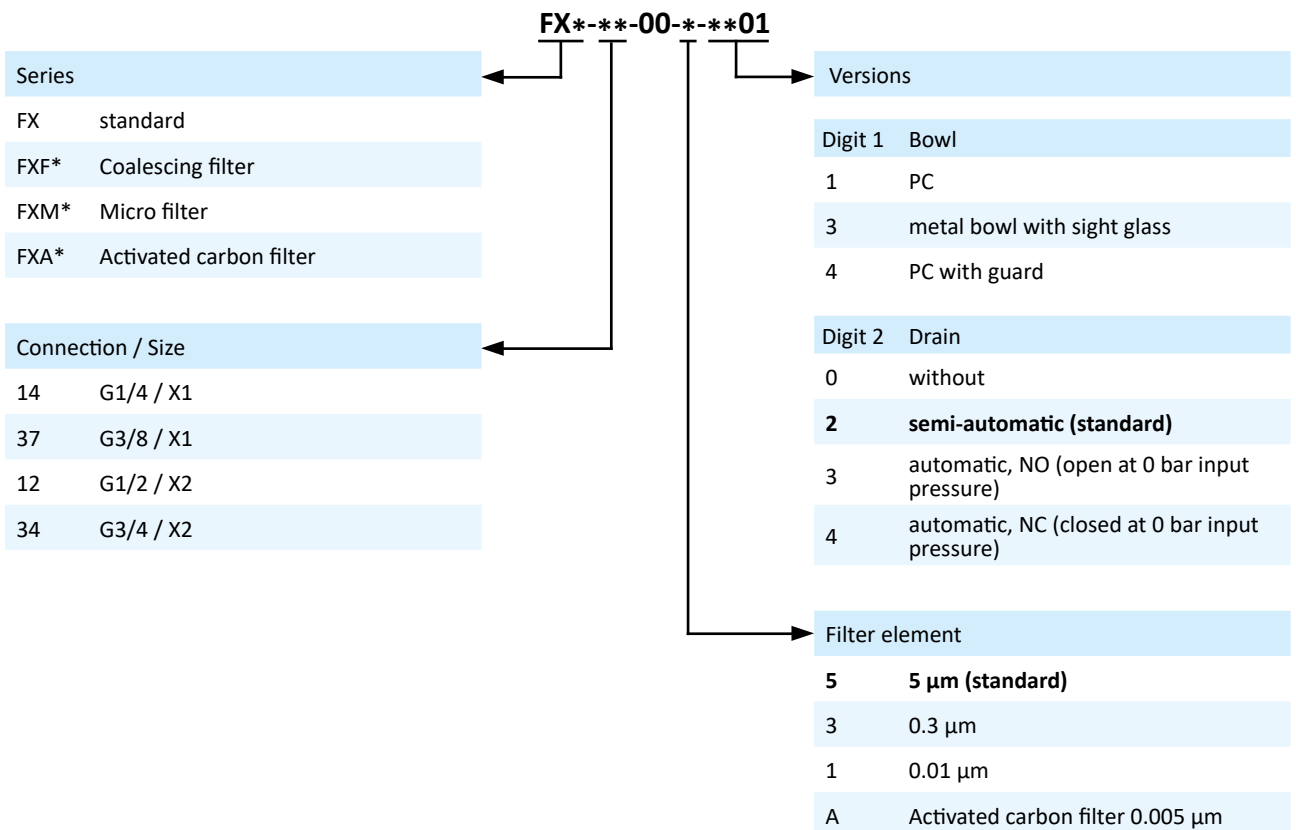


**Technical details**

<b>Temperature range</b>	-10°C ... +60°C
<b>Input range</b>	1.5 ... 16 bar
<b>Mounting</b>	vertically, drain at bottom
<b>Medium</b>	compressed air according to ISO 8573-1:2010, neutral gases
<b>Materials</b>	Body: zinc diecasting, bowl: PC, seals: NBR, inner parts: POM

Sintered filter according to the centrifugal force principle.


**Order code**


\* only for Connection 14 and 12 available.

## Filter FX

### Technical data

Model-no.:	FX-14-...	FX-37-...	FX-12-...	FX-34-...
Connection	G1/4	G3/8	G1/2	G3/4
Size	X1	X1	X2	X2
Flow (NI/min)*	2100	2100	4000	4000
Bowl volume (cm <sup>3</sup> )	25	25	50	50
Weight (kg)	0.30	0.29	0.78	0.70

\* Measured at p1 = 6 bar and Δp = 1 bar.

Model-no.:	FXF-14-...	FXF-12-...	FXM-14-...	FXM-12-...	FXA-14-...	FXA-12-...
Connection	G1/4	G1/2	G1/4	G1/2	G1/4	G1/2
Size	X1	X2	X1	X2	X1	X2
Flow (NI/min)*	380	1500	280	720	380	1500
Bowl volume (cm <sup>3</sup> )	25	49	25	49		
Weight (kg)	0.31	0.75	0.31	0.75	0.32	0.81

\* Measured at p1 = 6 bar and Δp = 0.2 bar (for FXM Δp = 0.1 bar) .

### Accessories

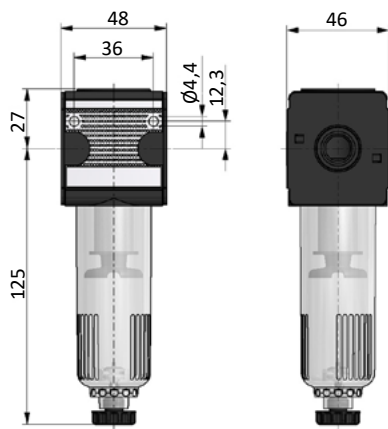
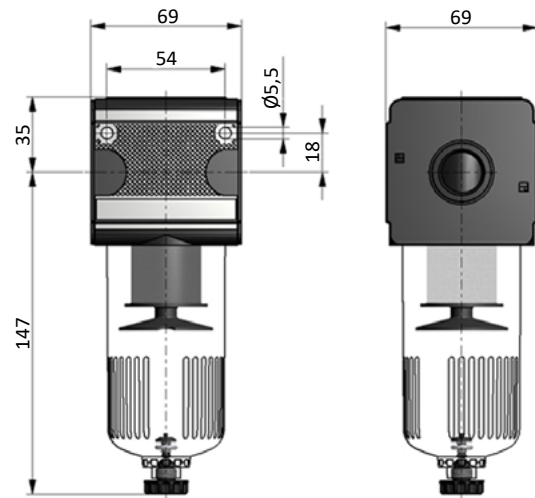
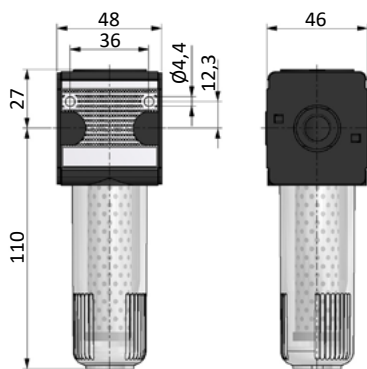
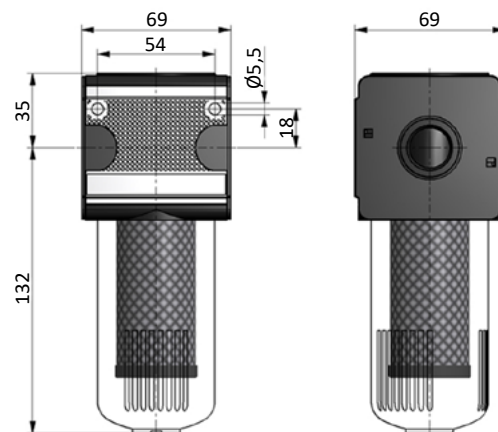
#### Coupling kits KPX



#### Mounting brackets WX



Details: see page 04

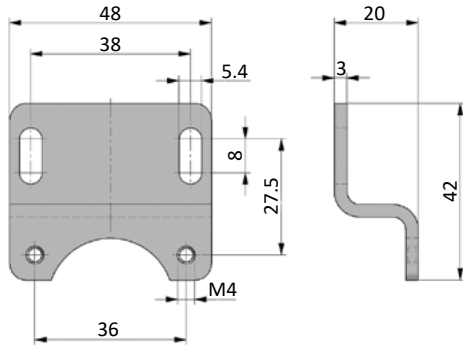
**Dimensions FX, FXF, FXM**
**Size X1**

**Size X2**

**Dimensions FXA**
**Size X1**

**Size X2**


# Fastening elements

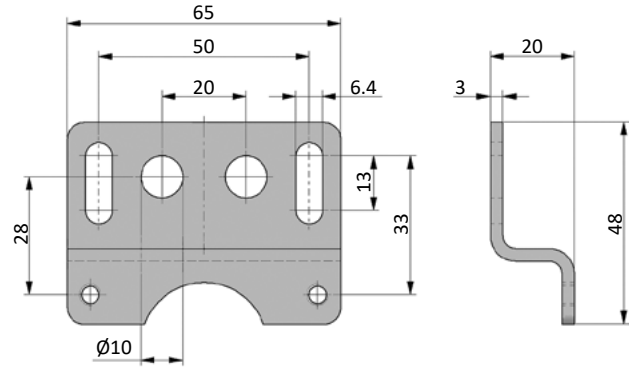
## Mounting brackets WX

Mounting brackets made of zinc coated steel.

### WX-11

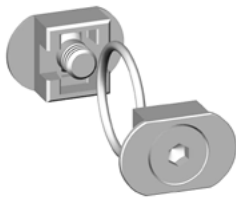


### WX-33



## Coupling kits KPX

### KPX-11



### KPX-33

