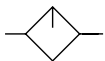


Technical details

Temperature range	-10°C ... +60°C
Input range	max. 16 bar
Mounting	vertically
Medium	compressed air according to ISO 8573-1:2010, neutral gases
Materials	Body: zinc diecasting, seals: NBR, inner parts: plastic and brass

Proportional lubricator, can be filled with oil during operation.



Order code

Series		Versions	
		Digit 1	Bowl
		1	PC
		3	metal bowl with sight glass
		4	PC with guard

Connection / Size	
14	G1/4 / X1
37	G3/8 / X1
12	G1/2 / X2
34	G3/4 / X2

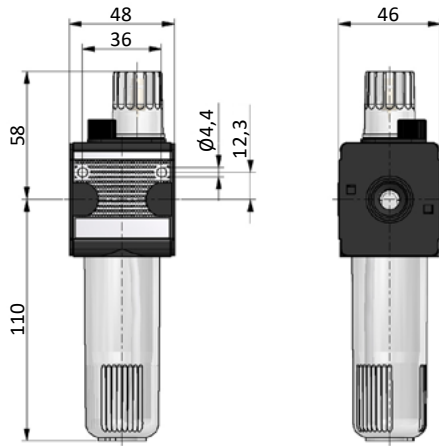
Technical data

Model-no.:	OX-14-...	OX-37-...	OX-12-...	OX-34-...
Connection	G1/4	G3/8	G1/2	G3/4
Size	X1	X1	X2	X2
Flow (NI/min)	1900	1900	5000	5000
Lubricator operating limit (NI/min)	75	75	170	170
Bowl volume lubricator (cm³)	50	50	125	125
Weight (kg)	0.31	0.30	0.79	0.75

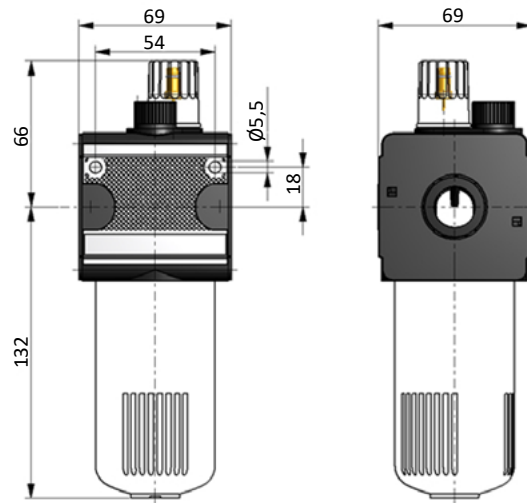
Lubricator OX

Dimensions

Size X1

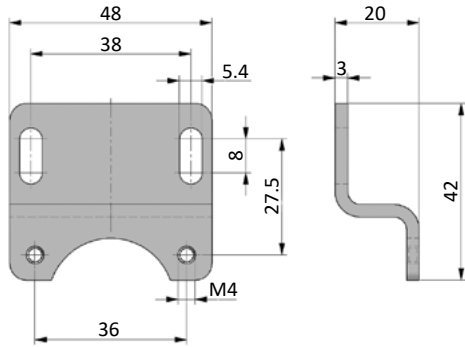
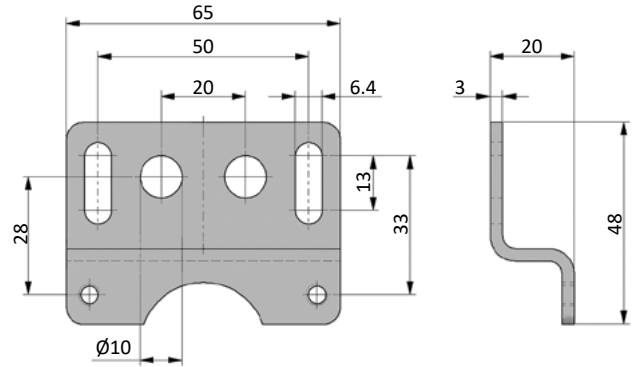
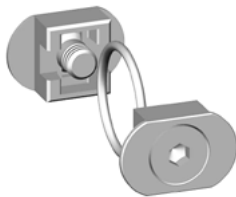


Size X2



Mounting brackets WX

Mounting brackets made of zinc coated steel.

WX-11

WX-33

Coupling kits KPX
KPX-11

KPX-33
