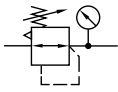


Technical details

Temperature range	-10°C ... +60°C
Input range	max. 16 bar
Mounting	arbitrary
Medium	compressed air according to ISO 8573-1:2010, neutral gases
Materials	Body: zinc diecasting, seals: NBR, inner parts: zinc coated steel, stainless steel and brass

Pressure regulator with diaphragm and relieving feature.
Locking: rotary lock possible.



Order code

Series		Versions	
RX-***-**-0-00**		Digit 3	Gauge, flow direction
← Connection / Size		0	without gauge, flow from left to right
14	G1/4 / X1	1	without gauge, flow from right to left
37	G3/8 / X1	2	with gauge, flow from left to right (standard)
12	G1/2 / X2	3	with gauge, flow from right to left
34	G3/4 / X2	Digit 4	
← Output range		1	standard
03	0.2 ... 3 bar	2	key lockable
06	0.5 ... 6 bar		
10	0.5 ... 10 bar (standard)		

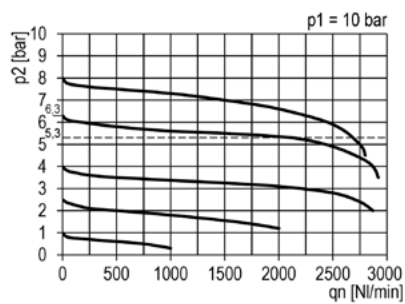
Pressure regulator RX

Technical data

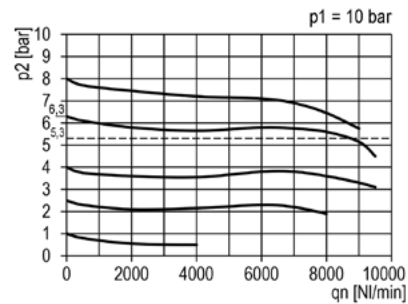
Model-no.:	RX-14-...	RX-37-...	RX-12-...	RX-34-...
Connection	G1/4	G3/8	G1/2	G3/4
Size	X1	X1	X2	X2
Flow (NI/min)	2000	2000	8800	8800
Weight (kg)	0.32	0.31	0.80	0.77

Flow characteristic

RX-14, RX-37



RX-12, RX-34



Accessories

Mounting brackets WK



Mounting brackets WX



Coupling kits KPX



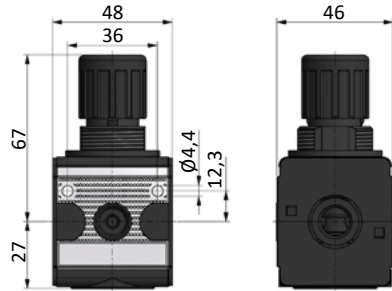
Mounting nut RM



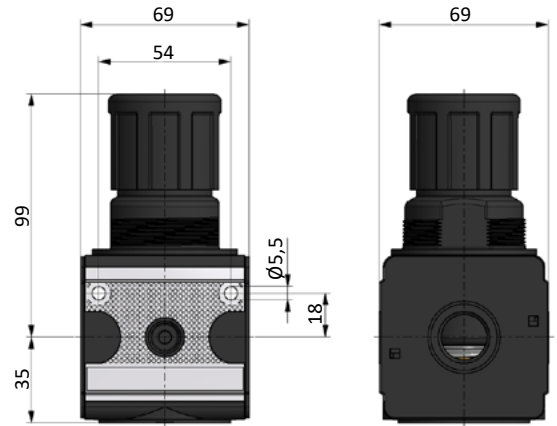
Details: see page 04

Dimensions

Size X1



Size X2

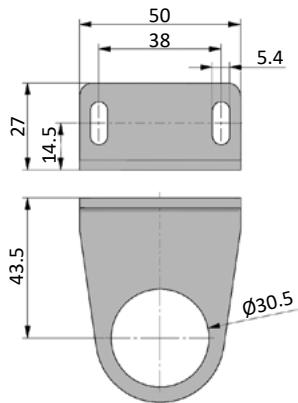


Fastening elements

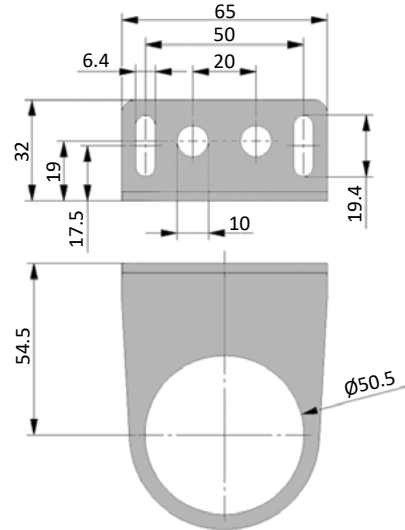
Mounting brackets WK

Mounting brackets made of zinc coated steel. Assembling with mounting nut (not included).

WK-30



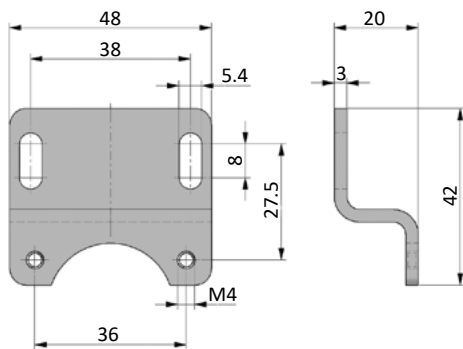
WK-50



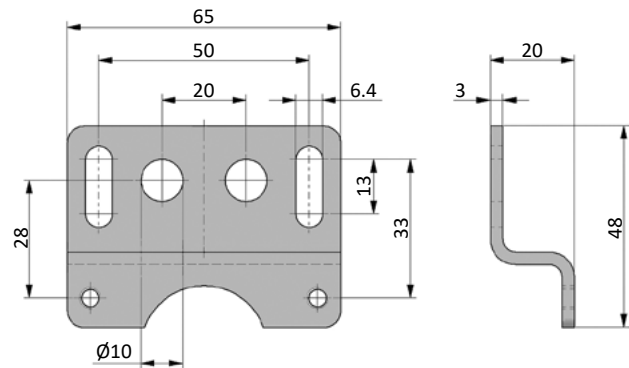
Mounting brackets WX

Mounting brackets made of zinc coated steel.

WX-11

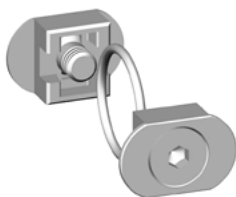


WX-33

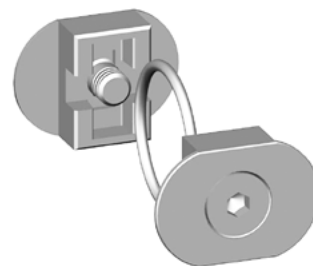


Coupling kits KPX

KPX-11



KPX-33



Technical details

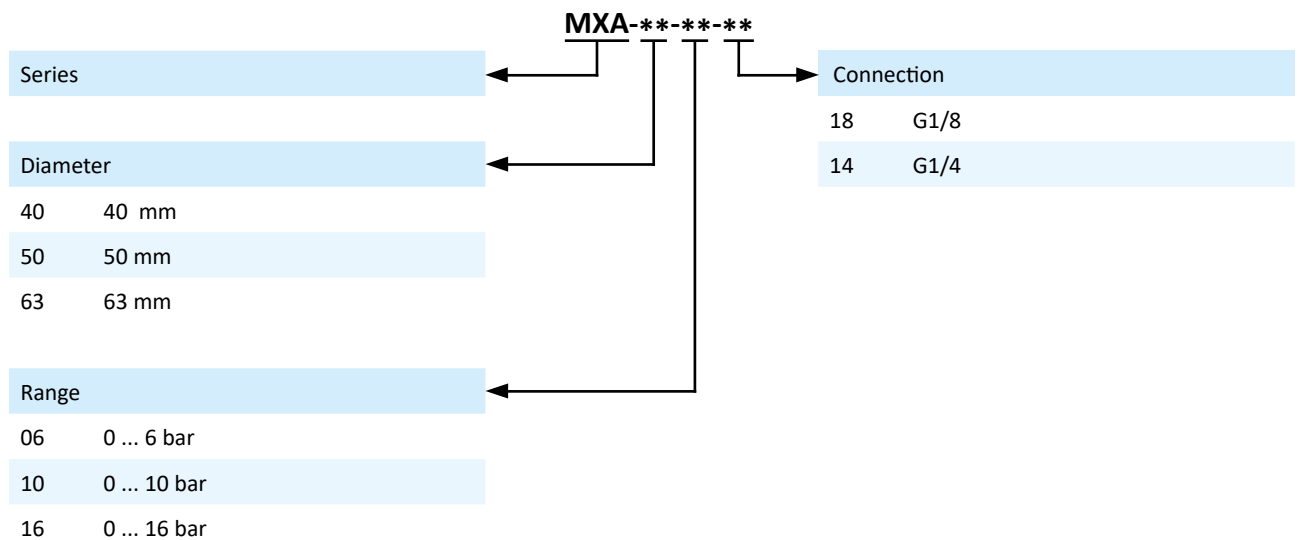
Temperature range	-20°C ... +60°C
Accuracy class	2.5 according to EN 837-1
Application	Constant load: 3/4 x scale value Alternating load: 2/3 x scale value
Materials	Body: ABS, black Window: plastic, clear, clipped-on Dial: plastic, white with stop pin Scale black (bar) and blue (psi)
Temperature drift	± 0.4% / 10 K if deviation from normal temperature (+ 20°C)



Bourdon tube pressure gauge (EN 837-1), pressure connection rear.



Order code



Technical data

Model-no.:	MXA-50-06-14		MXA-50-10-14		MXA-50-16-14	
Connection	G1/4		G1/4		G1/4	
Standard for series	-		-		X1. X2. Y1. Y2	
Range	0 ... 6 bar		0 ... 10 bar		0 ... 16 bar	
Weight (kg)	0.071		0.071		0.071	

Model-no.:	MXA-40-06-18	MXA-40-10-18	MXA-40-16-18	MXA-63-06-14	MXA-63-10-14	MXA-63-16-14
Connection	G1/8	G1/8	G1/8	G1/4	G1/4	G1/4
Standard for series	-	-	K. RD	-	-	Y3
Range	0 ... 6 bar	0 ... 10 bar	0 ... 16 bar	0 ... 6 bar	0 ... 10 bar	0 ... 16 bar
Weight (kg)	0.071	0.071	0.071	0.080	0.080	0.080