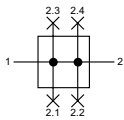


Distributor block TX

Technical details

| | |
|-------------------|---|
| Temperature range | -10°C ... +60°C |
| Input range | max. 16 bar |
| Mounting | arbitrary |
| Medium | compressed air according to ISO 8573-1:2010, neutral gases |
| Materials | Body: zinc diecasting, seals: NBR, inner parts: plastic and brass |



Distributor block, 4 outlets

Order code

| Series | | Versions | |
|-------------------|-----------|----------|--------------------------------|
| Connection / Size | | Digit 4 | Width |
| 14 | G1/4 / X1 | 1 | standard |
| 37 | G3/8 / X1 | 3 | small (only for G1/4 and G1/2) |
| 12 | G1/2 / X2 | | |
| 34 | G3/4 / X2 | | |

TX--00-0-000***

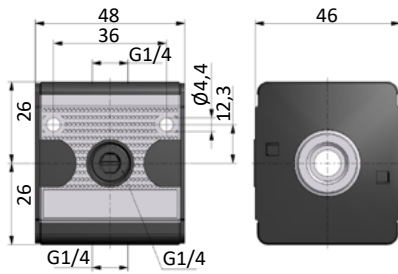
Technical data

| Model-no.: | TX-14-00-0-0001 | TX-14-00-0-0003 | TX-37-00-0-0001 | TX-12-00-0-0001 | TX-12-00-0-0003 | TX-34-00-0-0001 |
|-------------------------|-----------------|-----------------|-----------------|-----------------|-----------------|-----------------|
| Connection | G1/4 | G1/4 | G3/8 | G1/2 | G1/2 | G3/4 |
| Size | X1 | X1 | X1 | X2 | X2 | X2 |
| Connection 2.1 (unten) | G1/4 | G1/4 | G1/4 | G1/2 | G3/8 | G1/2 |
| Connection 2.2 (oben) | G1/4 | G1/8 | G1/4 | G1/2 | G1/8 | G1/2 |
| Connection 2.3 (vorne) | G1/4 | G1/4 | G1/4 | G1/4 | G1/4 | G1/4 |
| Connection 2.4 (hinten) | G1/4 | G1/4 | G1/4 | G1/4 | G1/4 | G1/4 |
| Flow (1-2 in NI/min) | 2500 | 3300 | 2500 | 11000 | 11000 | 11000 |
| Flow (1-2.1 in NI/min) | 2000 | 2300 | 2000 | 8750 | 3450 | 8750 |
| Flow (1-2.2 in NI/min) | 2000 | 1100 | 2000 | 8750 | 1400 | 8750 |
| Flow (1-2.3 in NI/min) | 900 | 2300 | 900 | 1300 | 3100 | 1300 |
| Flow (1-2.4 in NI/min) | 900 | 2300 | 900 | 1300 | 3100 | 1300 |
| Weight (kg) | 0.32 | 0.19 | 0.28 | 0.66 | 0.36 | 0.66 |

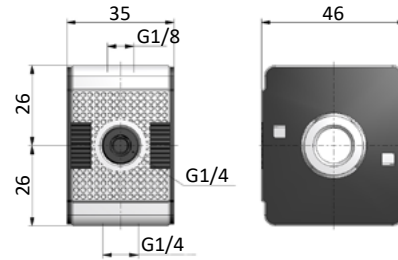
Distributor block TX

Dimensions

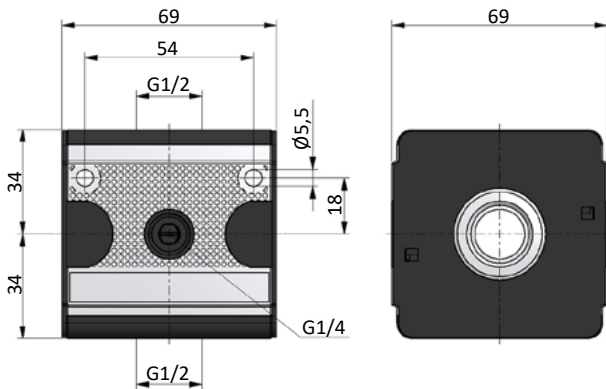
Size X1



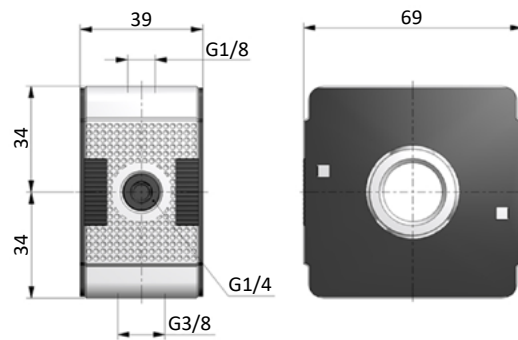
Size X1, small



Size X2

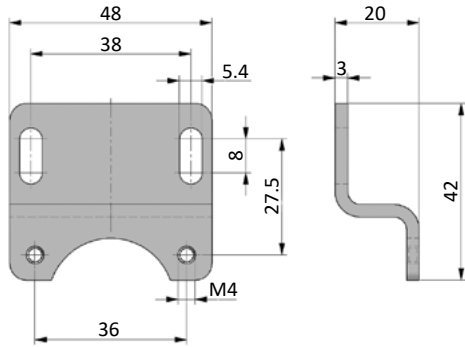
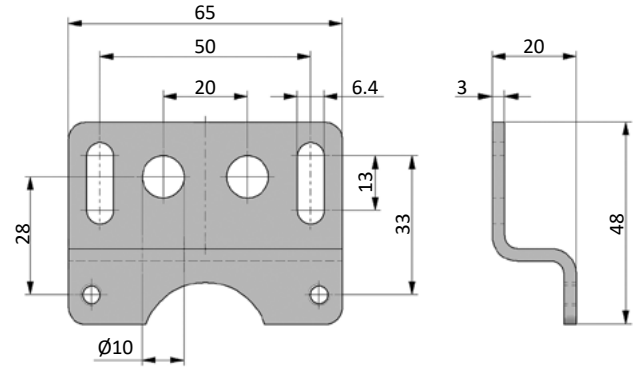
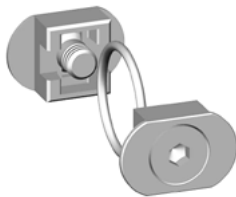


Size X2, small



Mounting brackets WX

Mounting brackets made of zinc coated steel.

WX-11

WX-33

Coupling kits KPX
KPX-11

KPX-33
