

**Technical details**

<b>Operating pressure</b>	1 ... 10 bar
<b>Temperature range</b>	-20°C ... +80°C
<b>Operating speed</b>	50 ... 500 mm/s
<b>Medium</b>	Filtered, oil-free and dried compressed air according to ISO 8573-1:2010, Class 7:2:4, instrument air, free of aggressive additives. Alternatively the pressure dew point must be at least 10°C below lowest occurring ambient temperature.
<b>Materials</b>	Profile: Al (anodized) Flange plate: Steel (zinc plated) Piston rod: stainless steel Guide rod: stainless steel (-000), hardened steel (-100) Seals: PU

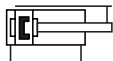


Double acting pneumatic cylinder with magnetic piston and built-in cushioning rings. The sensors can be installed directly into the sensor grooves of the Al-profile.

The integrated cylinder and guide unit ensures precise and accurate movement.

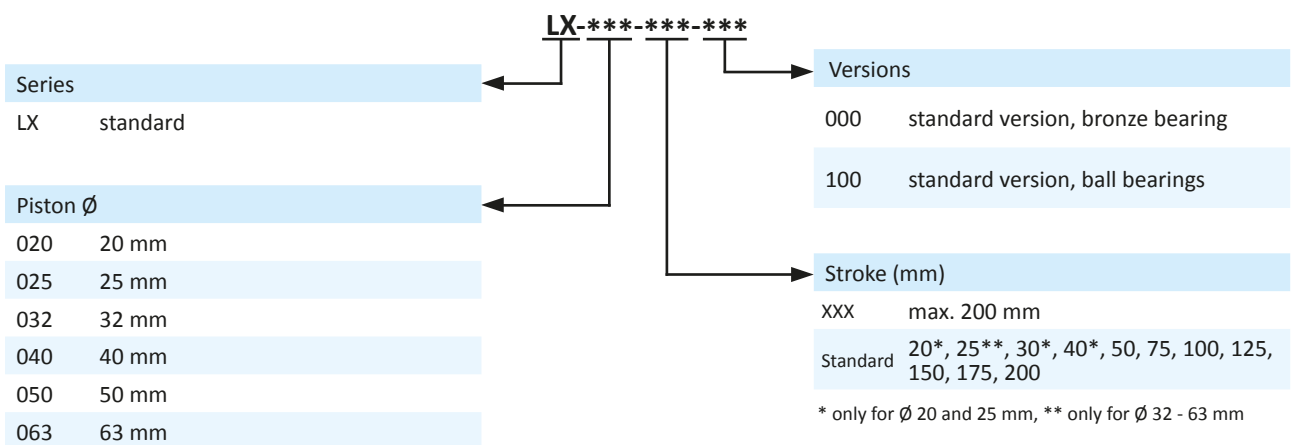
Standard stroke lengths in table below, additional lengths on request.

**Versions**



000, 100  
double acting, built-in cushioning rings,  
with magnetic piston,  
guide unit

**Order code**



**Technical data**

Model-no.:	LX-020-...	LX-025-...	LX-032-...	LX-040-...	LX-050-...	LX-063-...
<b>Piston Ø (mm)</b>	20	25	32	40	50	63
<b>Force at 6 bar (N)</b>	<b>Extension</b>	170	265	434	678	1060
	<b>Retraction</b>	127	204	326	570	890
<b>Connection</b>	G1/8	G1/8	G1/8	G1/8	G1/4	G1/4

# Series LX

guide unit, double acting

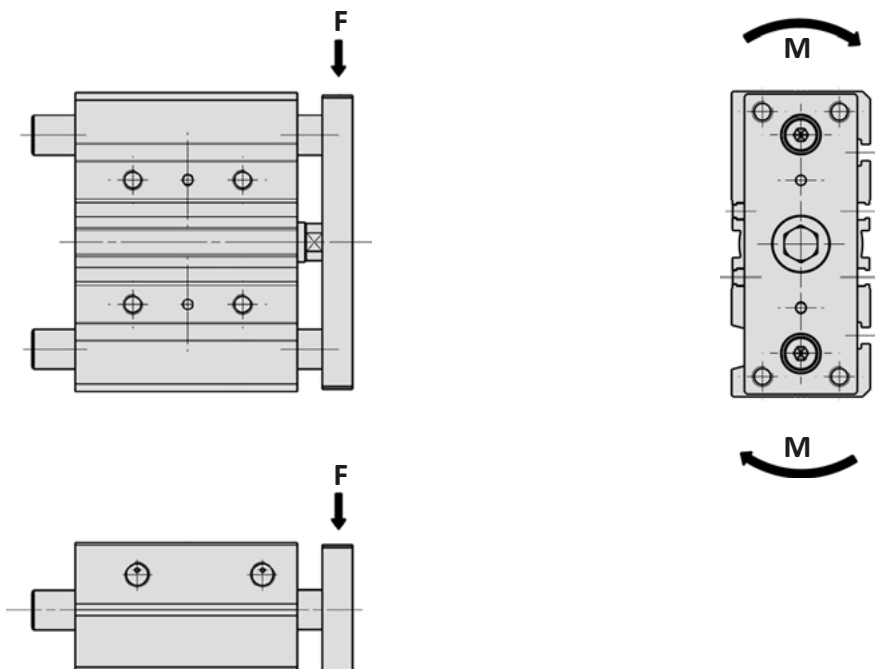
## Technical information

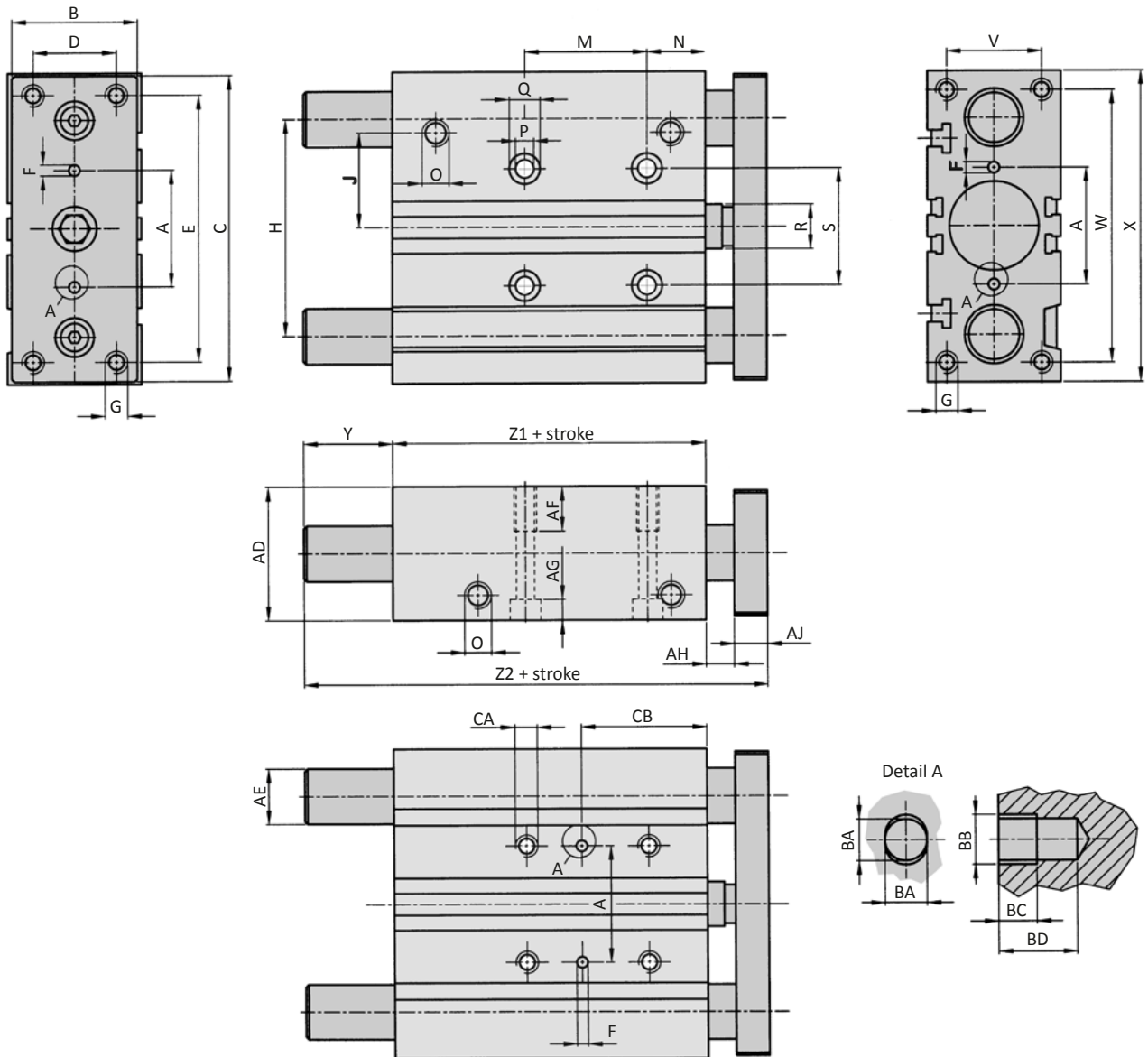
### Maximum force (N)

Piston Ø (mm)	Stroke length (mm)	20	25	30	40	50	75	100	125	150	175	200
20	Version 000	100	-	93	81	73	114	93	98	85	75	67
	Version 100	110	-	100	125	121	90	86	69	58	49	43
25	Version 000	140	-	120	115	103	165	135	150	131	116	104
	Version 100	142	-	85	154	148	106	82	97	81	70	61
32	Version 000	-	253	-	-	214	225	208	225	198	176	159
	Version 100	-	222	-	-	91	167	129	145	122	104	90
40	Version 000	-	251	-	-	197	215	206	224	196	175	157
	Version 100	-	221	-	-	93	167	128	145	121	104	90
50	Version 000	-	317	-	-	273	267	299	257	225	200	179
	Version 100	-	203	-	-	152	161	193	156	130	110	95
63	Version 000	-	316	-	-	273	267	299	257	225	200	179
	Version 100	-	201	-	-	151	158	195	157	130	110	94

### Maximum torque (Nm)

Piston Ø (mm)	Stroke length (mm)	20	25	30	40	50	75	100	125	150	175	200
20	Version 000	1.7	-	1.5	1.2	1.0	2.9	2.8	2.6	2.3	2.0	1.8
	Version 100	3.0	-	2.7	3.4	3.3	2.4	2.3	1.9	1.6	1.3	1.2
25	Version 000	3.4	-	2.9	3.6	3.3	4.2	4.3	3.8	3.2	2.7	2.3
	Version 100	3.5	-	2.7	4.9	4.7	3.4	2.6	3.1	2.6	2.2	2.0
32	Version 000	-	6.7	-	-	6.5	7.2	7.0	6.6	5.6	4.8	4.1
	Version 100	-	6.3	-	-	3.6	6.5	5.1	5.7	4.8	4.1	3.5
40	Version 000	-	8.7	-	-	7.3	9.2	8.8	9.6	8.4	7.5	6.7
	Version 100	-	8.5	-	-	4.0	7.2	5.5	6.2	5.2	4.5	3.9
50	Version 000	-	15.4	-	-	12.9	12.6	13.4	12.1	11.3	10.1	9.8
	Version 100	-	11.1	-	-	8.3	8.8	10.6	8.6	7.1	6.0	5.2
63	Version 000	-	15.1	-	-	14.3	16.6	17	14	11.3	9.7	9.1
	Version 100	-	8.3	-	-	7.2	9.8	12.1	9.7	8.1	6.8	5.8



**Dimensions**


Piston Ø	A	B	C	D	E	Ø F	G	H	J	N	O	Ø P	Ø Q	Ø R	S
20	28	30	81	18	70	3 x 6	M5 x 13	54	25	17	G1/8	5.5	9.5	10	28
25	34	40	91	26	78	4 x 6	M6 x 15	64	28.5	17	G1/8	5.5	9.5	12	34
32	42	45	110	30	96	4 x 6	M8 x 20	78	34	21	G1/8	6.5	11	16	42
40	50	45	118	30	104	4 x 6	M8 x 20	86	38	22	G1/8	6.5	11	16	50
50	66	60	146	40	130	5 x 8	M10 x 22	110	47	24	G1/4	8.5	14	20	66
63	80	70	158	50	130	5 x 8	M10 x 22	124	55	24	G1/4	8.5	14	20	80

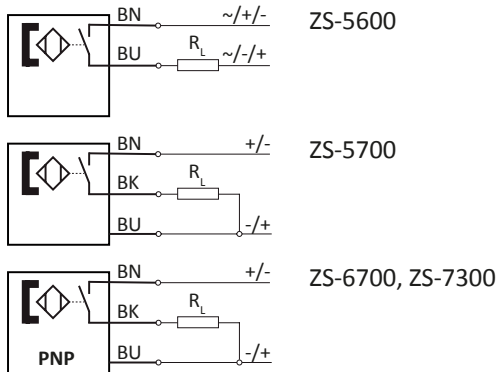
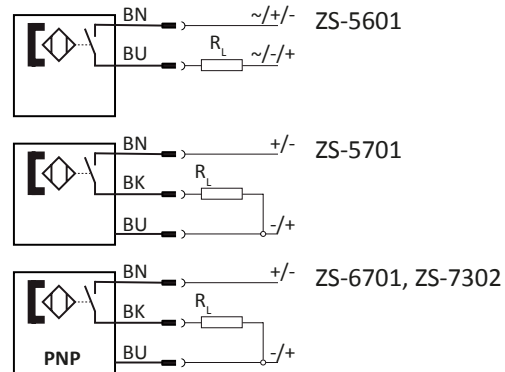
Piston Ø	V	W	X	Z1	AD	AF	AG	AH	AJ	AK	Ø BA	BB	BC	BD	CA
20	24	72	83	37	36	12	5.5	6	10	11.5	3	3.5	3	6	M6
25	30	82	93	37.5	42	12	5.5	6	10	13.5	4	4.5	3	6	M6
32	34	98	112	37.5	48	16	7.5	10	12	15	4	4.5	3	6	M8
40	40	106	120	44	54	16	7.5	10	12	18	4	4.5	3	6	M8
50	46	130	148	44	64	20	9	13	15	21.5	5	6	4	8	M10
63	58	142	162	49	78	20	9	13	15	28	5	6	4	8	M10

## Series LX

guide unit, double acting

### Dimensions

Piston $\varnothing$	Stroke	Version	Y	Z2	$\varnothing$ AE	M	CB
20	20 - 30	000	21.5	74.5	12	24	29
20	20 - 30	100	19	72	10	24	29
20	40 - 50	000	21.5	74.5	12	44	39
20	75 - 100	000	26.5	79.5	12	44	39
20	40 - 100	100	22	75	10	44	39
20	125 - 200	000	26.5	79.5	12	120	77
20	125 - 200	100	32	85	10	120	77
25	20	000	21	74.5	16	24	29
25	30	000	27	80.5	16	24	29
25	20 - 30	100	21	74.5	12	24	29
25	40 - 50	000	27	80.5	16	44	39
25	75 - 100	000	31.5	85	16	44	39
25	40 - 100	100	32	85.5	12	44	39
25	125 - 200	000	31.5	85	16	120	77
25	125 - 200	100	44.5	98	12	120	77
32	25	000	14	73.5	20	24	33
32	25	100	26.5	86	16	24	33
32	50	000	32	91.5	20	48	45
32	50	100	26.5	86	16	48	45
32	75 - 100	000	32	91.5	20	48	45
32	75 - 100	100	35.5	95	16	48	45
32	125 - 200	000	32	91.5	20	124	83
32	125 - 200	100	50.5	110	16	124	83
40	25	000	7.5	73.5	20	24	34
40	25	100	20	86	16	24	34
40	50 - 100	000	25.5	91.5	20	48	46
40	50	100	20	86	16	48	46
40	75 - 100	100	29	95	16	48	46
40	125 - 200	000	25.5	91.5	20	124	84
40	125 - 200	100	44	110	16	124	84
50	25	000	26.5	98.5	25	24	36
50	25	100	21	93	20	24	36
50	50 - 100	000	26.5	98.5	25	48	48
50	50 - 75	100	21	93	20	48	48
50	100	100	40	112	20	48	48
50	125 - 200	000	26.5	98.5	25	124	86
50	125 - 200	100	40	112	20	124	86
63	25	000	21.5	98.5	25	28	38
63	25	100	16	93	20	28	38
63	50 - 100	000	21.5	98.5	25	52	50
63	50 - 75	100	16	93	20	52	50
63	100	100	35	112	20	52	50
63	125 - 200	000	21.5	98.5	25	128	88
63	125 - 200	100	35	112	20	128	88

**Proximity sensors with cable**

**Proximity sensors with plug**

**Technical data**

Model-no.:	ZS-5600	ZS-5601	ZS-5700	ZS-5701
<b>Design</b>				
<b>Contact function</b>	2-pole Reed sensor	2-pole Reed sensor	3-pole Reed sensor	3-pole Reed sensor
<b>Rated operational voltage</b>	5 ... 240 V AC / DC	5 ... 60 V AC / DC	5 ... 30 V DC	5 ... 30 V DC
<b>Rated operational current I<sub>E</sub></b>	3 ... 100 mA	3 ... 100 mA	≤ 500 mA	≤ 500 mA
<b>Max. voltage drop at I<sub>E</sub></b>	≤ 2.5	≤ 2.5	≤ 0.1	≤ 0.1
<b>Breaking capacity</b>	10 W	10 W	10 W	10 W
<b>Cable length</b>	3 m	0.3 m with M8 connection	5 m	0.3 m with M8 connection
<b>Temperature range</b>	-10 ... +70°C	-10 ... +70°C	-10 ... +70°C	-10 ... +70°C
<b>Protection</b>	IP 67	IP 67	IP 67	IP 67
<b>Switching status indication</b>	LED red	LED red	LED yellow	LED yellow

Model-no.:	ZS-6700	ZS-6701	ZS-7300	ZS-7302
<b>Design</b>				
<b>Contact function</b>	3-pole inductive	3-pole inductive	3-pole inductive	3-pole inductive
<b>Output</b>	NO	NO	NO	NO
<b>Rated operational voltage</b>	PNP	PNP	PNP	PNP
<b>Rated operational current I<sub>E</sub></b>	5 ... 30 V DC	5 ... 30 V DC	10 ... 30 V DC	10 ... 30 V DC
<b>Max. voltage drop at I<sub>E</sub></b>	≤ 200 mA	≤ 200 mA	≤ 100 mA	≤ 100 mA
<b>Breaking capacity</b>	≤ 1.0	≤ 1.0	≤ 2.5	≤ 2.5
<b>Cable length</b>	6 W	6 W	3 W	3 W
<b>Temperature range</b>	3 m	0.3 m with M8 connection	6 m	0.3 m with M12 connection
<b>Protection</b>	-10 ... +70°C	-10 ... +70°C	-20 ... +60°C	-20 ... +60°C
<b>Switching status indication</b>	IP 67	IP 67	IP 67	IP 67
	LED green	LED green	LED yellow	LED yellow
	-	-	II 3G Ex nA T4 II 3D Ex tD A22 IP67 T 125°C	II 3D Ex tc IIIC T125°C Dc X

## Series ZS

### Proximity sensors

#### Cable with bushing for proximity sensors

Model-no.:	KA-30	KA-50	KA-51	KA-100	KA-101
Connection	M8, snap-in	M8, snap-in	M8, snap-in	M8, snap-in	M8, snap-in
Version	straight	straight	elbow 90°	straight	elbow 90°
Cable length	3 m	5 m	5 m	10 m	10 m

#### Mounting

The sensors are mounted at the groove of the cylinder profile. It is fixed by turning the fixing screw at the sensor clockwise. The cover stripe XLB-011 (see below) can be used for protecting the sensor cable.

#### Cover for sensor groove

Model-no.:	XLB-011
Design	plastic profile, 50 cm length, blue
For series	XL, NXD, NXE, NYD, NYE, NYSE, LX

