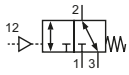


Technical details

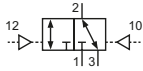
Connection	G1/8
Nominal size	6 mm
Temperature range	-10°C ... +70°C
Medium	Filtered, oil-free and dried compressed air according to ISO 8573-1:2010, Class 7:2:4, instrument air, free of aggressive additives. Alternatively the pressure dew point must be at least 10°C below lowest occurring ambient temperature.
Materials	Body: Al (anodized), seals: NBR and POM, inner parts: Al, brass, stainless steel
	Valves in accordance with 2014/34/EU (ATEX) available. (Chapter 13)



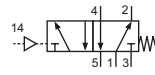
Pneumatically operated spool valve. The valve switches upon pressurization of the pilot port.

3/2-way valves


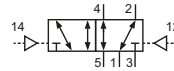
L-28-311
3/2-way, single pilot, mechanical spring return



L-28-320
3/2-way, double pilot

5/2-way valves


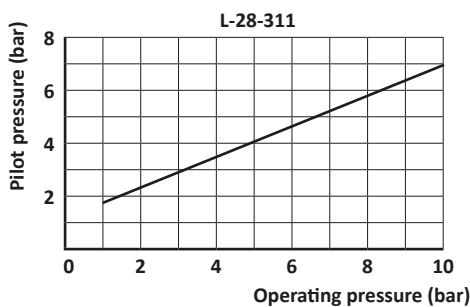
L-28-511
5/2-way, single pilot, mechanical spring return



L-28-520
5/2-way, double pilot

Technical data

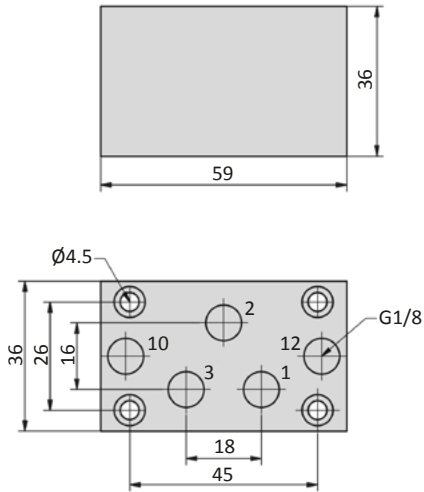
Model-no.:	L-28-311	L-28-320	L-28-511	L-28-520
Operating pressure (bar)	1 ... 10	0 ... 10	0 ... 10	0 ... 10
Pilot pressure (bar)	see diagram	2 ... 10	3 ... 10	2 ... 10
Flow rate (NI/min)	600	600	600	600
Weight (kg)	0.192	0.195	0.254	0.250



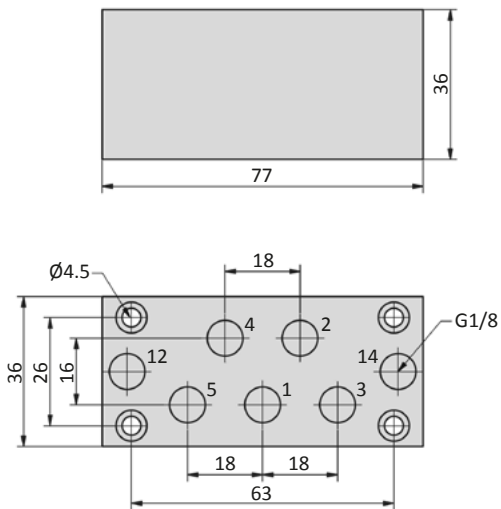
Series L-28

Dimensions

L-28-3xx



L-28-5xx



- 1 = pressure inlet
- 2,4 = outlets
- 3,5 = exhausts
- 10,12,14 = pilot ports